



INSTALLATION GUIDE

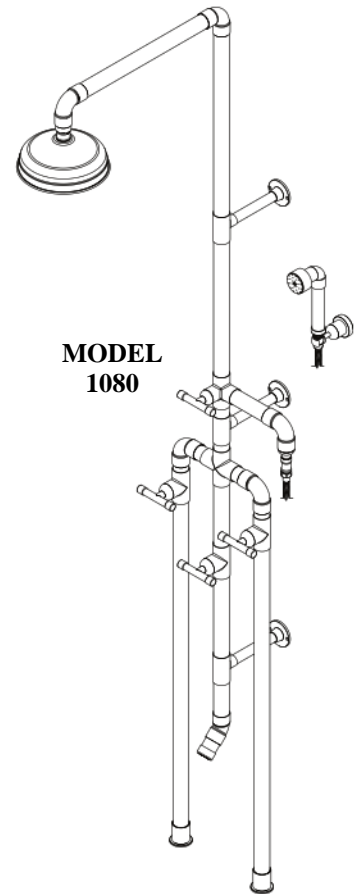
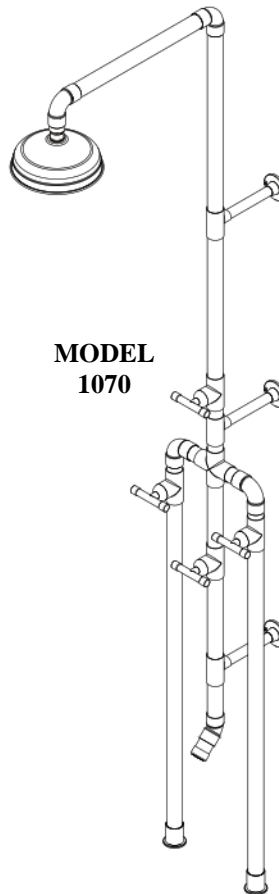
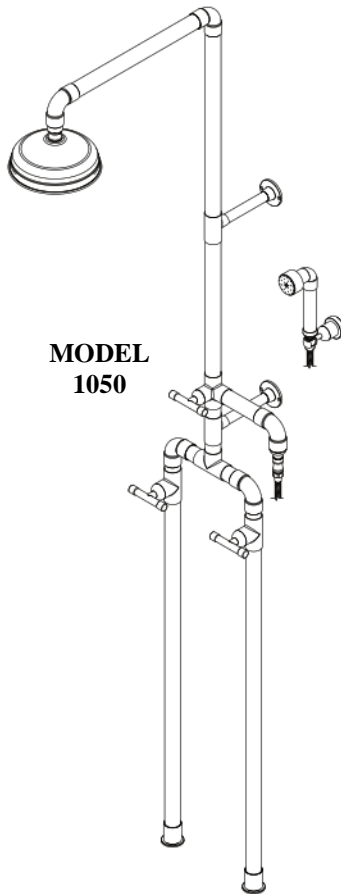
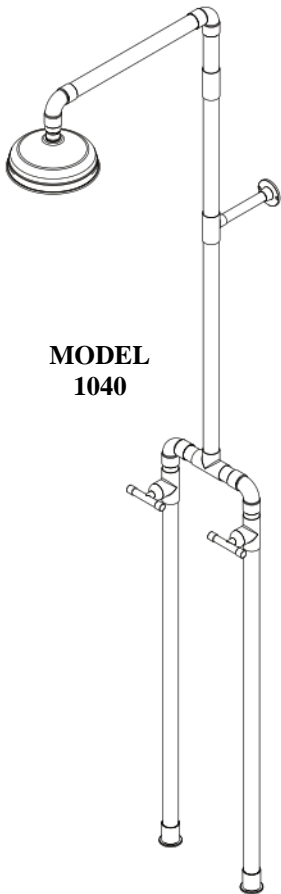
WaterBridge Floor-Mounted Exposed Showers 1000 Series

Nov 2023

WaterBridge Exposed Showers are available in four standard floor-mounted configurations:

- | | |
|--------------------|--------------------------------------|
| WB SHW 1040 | Rain head only |
| WB SHW 1050 | Rain head and handshower |
| WB SHW 1070 | Rain head and foot wash |
| WB SHW 1080 | Rain head, handshower, and foot wash |

Custom showers are available by special order. Please contact Sonoma Forge for more info.



**It is strongly recommended that this, and all fixtures,
be installed by a professional plumber.**

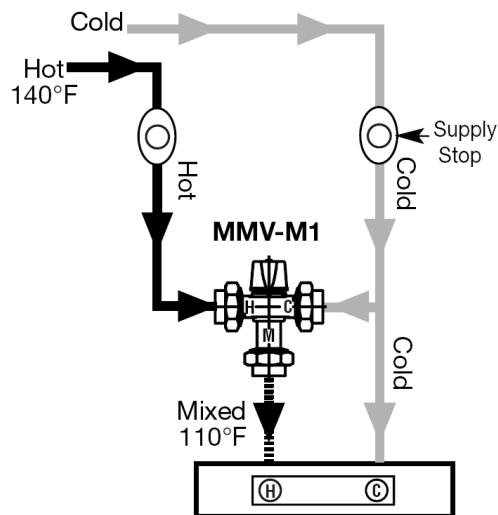


INSTALLATION GUIDE

WaterBridge Floor-Mounted Exposed Showers 1000 Series

Nov 2023

Some state plumbing codes require the use of a **remote anti-scald thermostatic mixing valve**. This valve may be installed anywhere between the uninterrupted hot water supply and fixture.



Example of Watts MMV-1 (not included)

Remote Anti-Scald Valve Installation:

Prior to installing this valve, make sure that all lines have been flushed of any debris. The hot and cold water must be fully operational at the valve inlets or the unit will not function properly even during testing or flushing.

Close both the hot and cold water supply shut-off valves and bleed the remaining water from the system.

Clean pipe ends and solder both the hot and the cold connections at the locations locate on the valve body. The valve cartridges do not have to be removed before soldering.

After soldering, check for leaks.

Note: When using with a recirculation system, re-circulated water must enter downstream to the thermostatic system.

WARNING: Temperatures exceeding 110 degrees are dangerous and may cause scalding, server injury or death. This valve is NOT factory preset. Installer must make the proper adjustments.



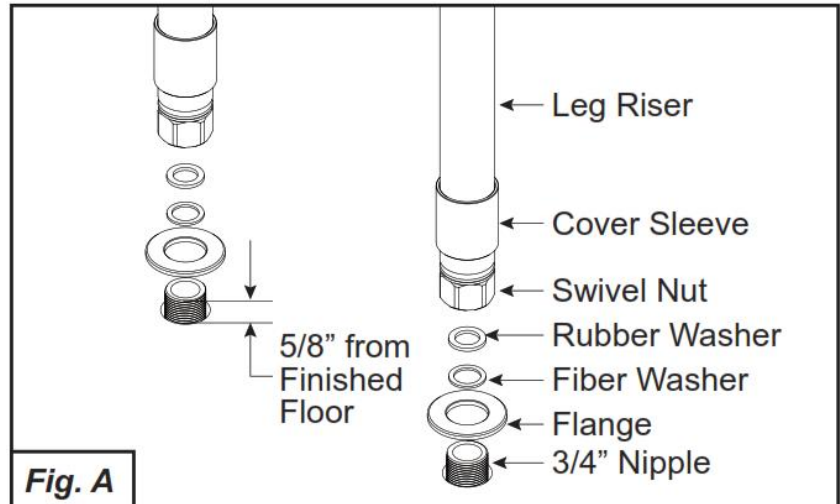
Nov 2023

INSTALLATION GUIDE

WaterBridge Floor-Mounted Exposed Showers 1000 Series

These Waterbridge Exposed Showers are plumbed to 3/4" straight nipples, which are included with the system. The Shower employs swiveling fittings to attach to (included) straight nipples that have been stubbed out. The hot and cold lines should be plumbed 10" on center, trimmed exactly 5/8" exposed from the finished floor.

Note: Do not use Tapered Pipe; only the provided Straight Thread Nipples. (See Fig. A)



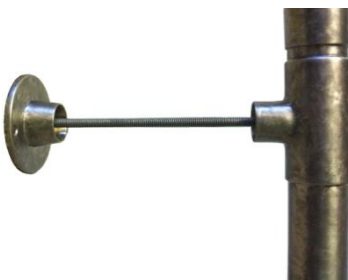
Trim Installation

- 1) This shower is shipped with adjustable wall brackets for uneven walls. These consist of an inner all-thread and a loose outer tube. These can be adjusted to 2-1/2" – 7-1/2" from the wall to the center of the shower's vertical riser.
THESE MUST BE ADJUSTED BEFORE INSTALLATION
- 2) Carefully remove the shower from its shipping crate and assemble the two halves. Be sure to use Teflon tape or joint compound to prevent leaks. Square O-rings are also included with the system.
- 3) Cut the inner threads on the mounting brackets to desired lengths, then use a hack saw to cut the outer tubes. Use a level to ensure that the shower will be installed straight up and down.

INNER THREADS:

7-1/2" MAX LENGTH:

2-1/2" MIN LENGTH:



- 4) Two 3/4" straight nipples should be stubbed out at, or cut to 5/8" above the finished floor, at 10" on center. Install the shower body onto the nipples and tighten the compression nuts.
- 5) Using a level, attached the shower to the wall with the provided plated screws.



INSTALLATION GUIDE

WaterBridge Floor-Mounted Exposed Showers 1000 Series

Nov 2023

- 6) For **Models 1050 & 1080**, a separate mounting bracket is included for the hand wand. Remove the internal mounting bracket from the back by loosening the set screw. Mount the bracket on the wall with provided screws. Re-affix the Bracket Trim and tighten set screw.

Ensure that the hose does not have any negative tension when not in use, as it will unravel over time.

- 7) Once the Shower Body is installed, the Shower Arm should be installed (again, employing Teflon tape, joint compound, and/or the supplied square O-rings).
- 8) Then the Rain Head should be installed (employing Teflon tape or joint compound):
- 9) Unscrew the collar from the top of the rain head.
- 10) Using an Allen wrench (not provided), thread the ball joint onto the shower arm until secure.
- 11) Supporting the head, tighten the collar back on to the top of the head.



Ball joint and Allen wrench

- 12) Turn water supply on at source and check for leaks.
- 13) Check volume controls and shut-off valves for proper function.

Care & Maintenance: No abrasives should be used to clean Sonoma Forge products. Mild soap and water can be used, and 100% carnauba wax to protect the finish.

All exterior plumbing must be drained if freezing temperatures are expected.