

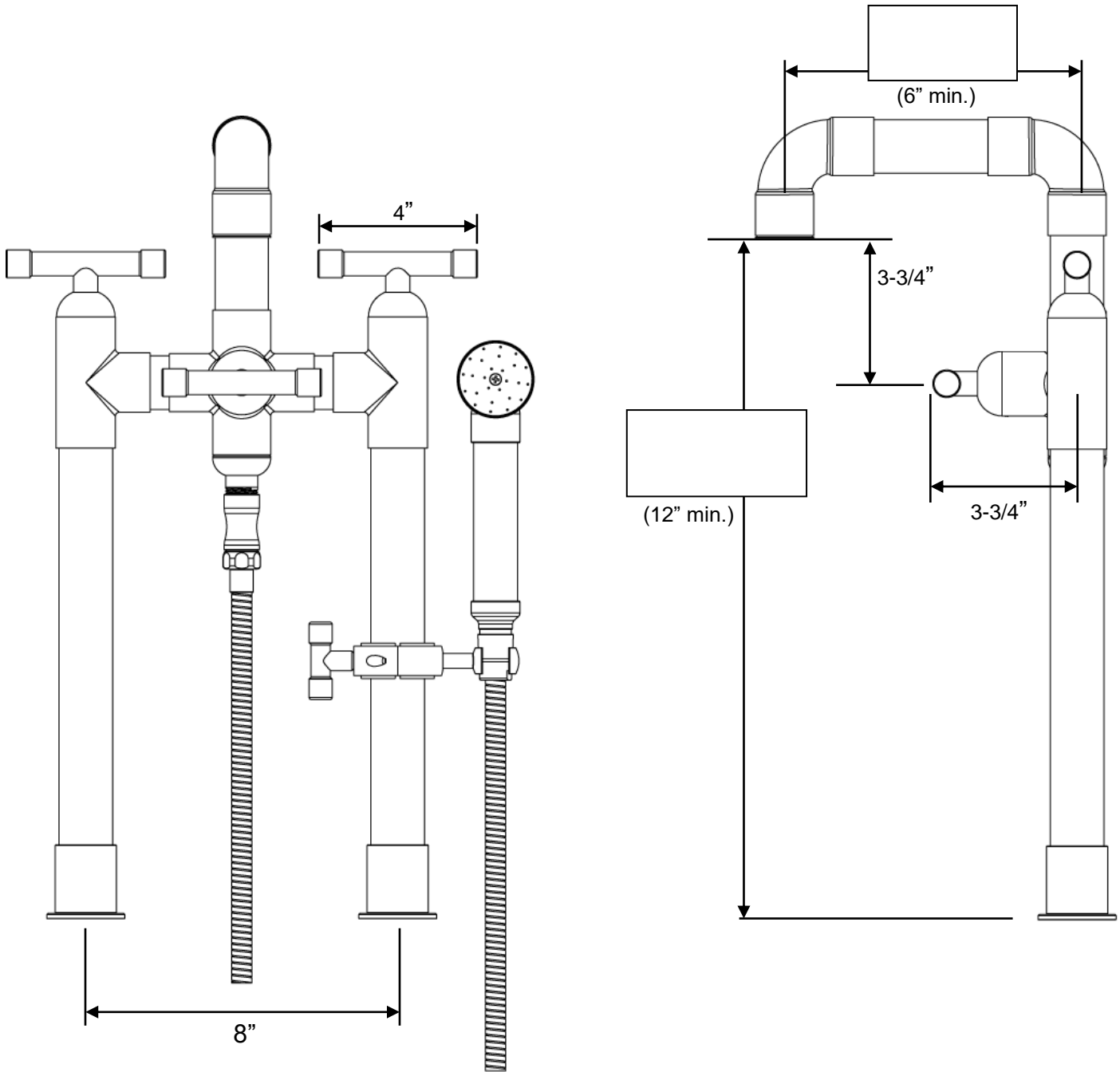


PRODUCT SPECIFICATIONS

Waterbridge Tub Filler with Elbow Spout & Handshower

Jun 2023

WB-RTF-FM-LBO-HS



- ADA Compliant
- Custom finishes available

Connection	3/4" NPT
GPM	8



PRODUCT SPECIFICATIONS

Waterbridge Tub Filler with Elbow Spout & Handshower

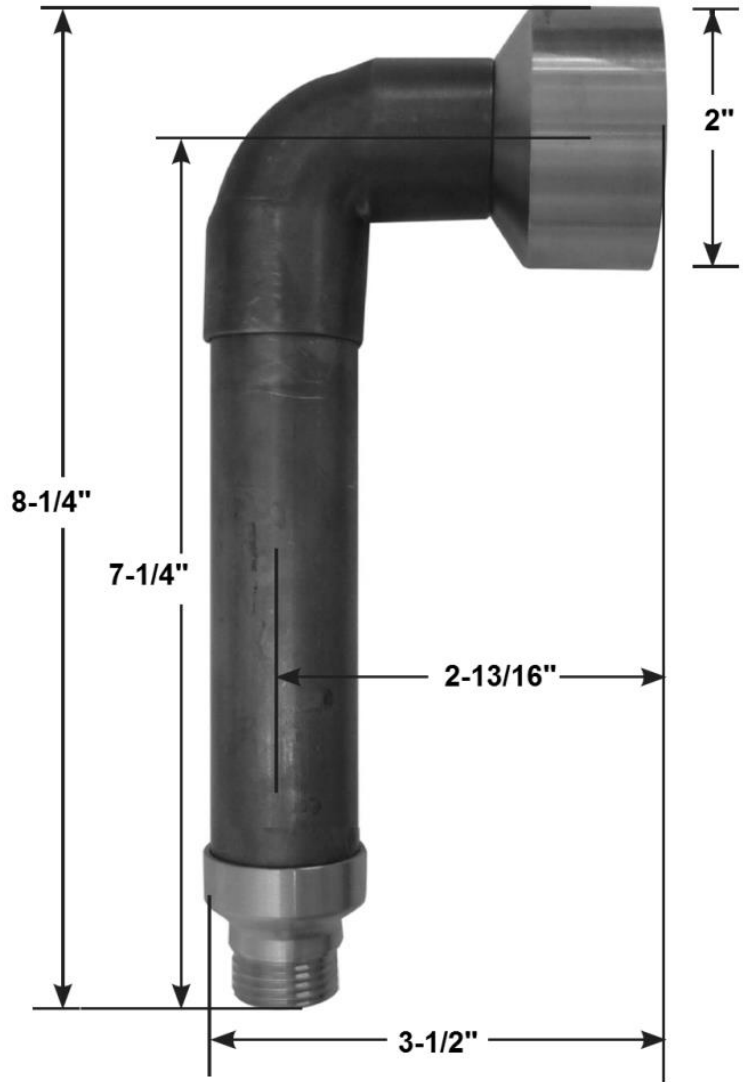
Jun 2023

WB-RTF-FM-LBO-HS



59" FLEXIBLE HOSE

WATERBRIDGE
HAND WAND



CLAMP FOR
HAND WAND

