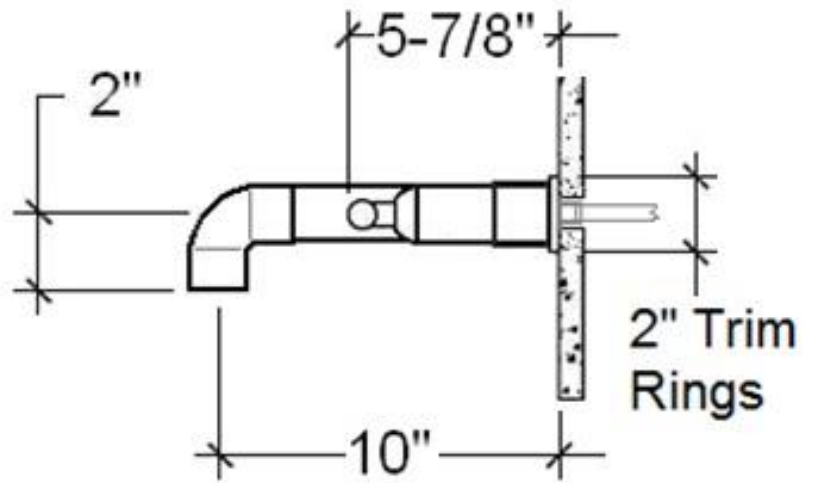
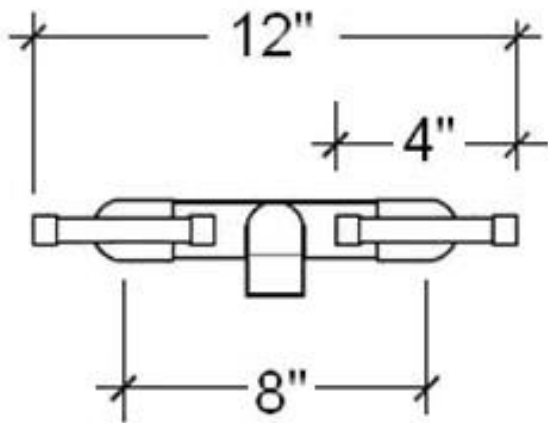




PRODUCT SPECIFICATIONS

Waterbridge Wall Faucet with Elbow Spout WB-LAV-WM-LBO

Aug 2019



- ADA Compliant
- Includes Flip-Top Drain w/o overflow
- Offset and Cross handles available
- Custom sizes and finishes available

Connection	1/2" Copper
Valve	1/2" Ceramic
GPM	1.2