

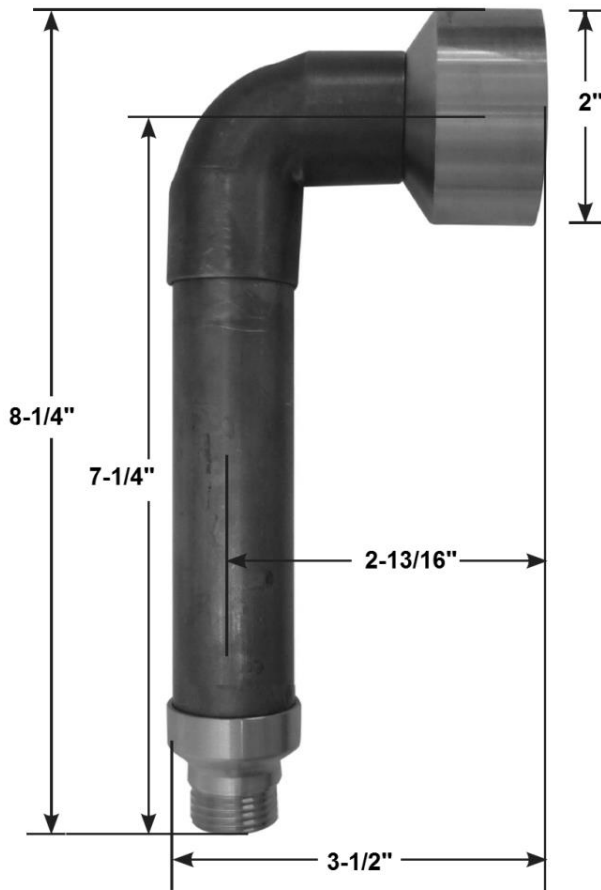


Jan 2021

PRODUCT SPECIFICATIONS

WaterBridge Style Wand Handshower Kit

WB-10-276



DECK BRACKET



59" FLEXIBLE HOSE



SUPPLY HOSE



- ADA Compliant
- Custom finishes available

Connection	1/2" NPT
GPM	1.8