

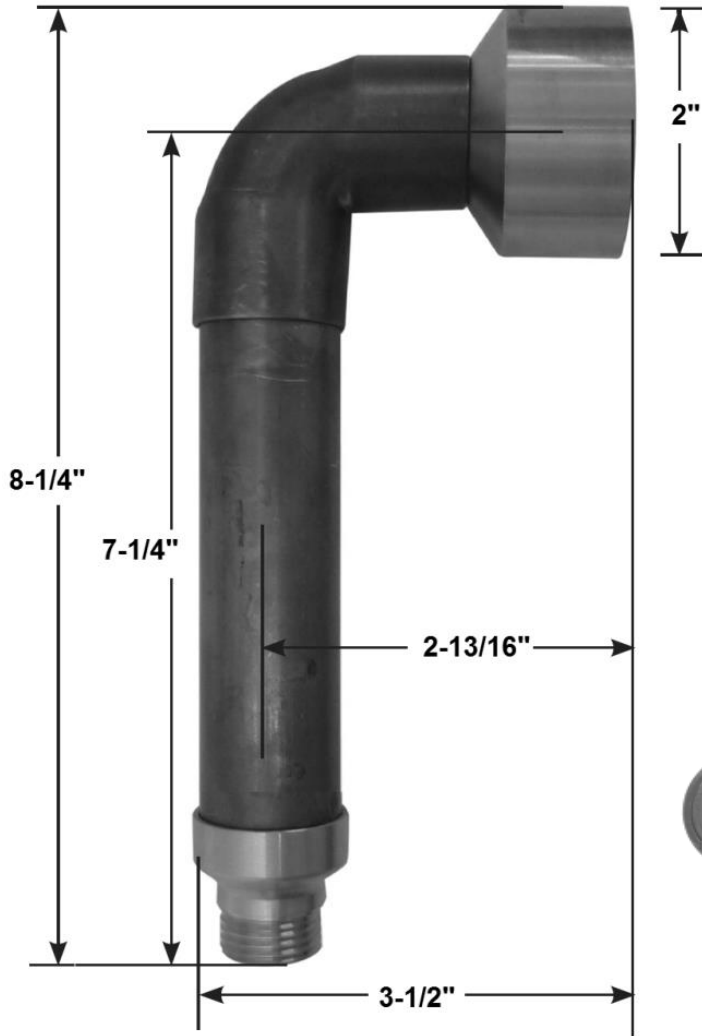


Feb 2019

PRODUCT SPECIFICATIONS

WaterBridge Style Wand Handshower Kit

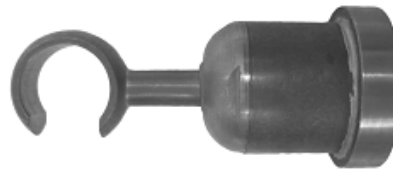
WB-10-255



WATERWAY



WALL BRACKET



59" FLEXIBLE HOSE



- ADA Compliant
- Custom finishes available

Connection	1/2" NPT
GPM	1.8