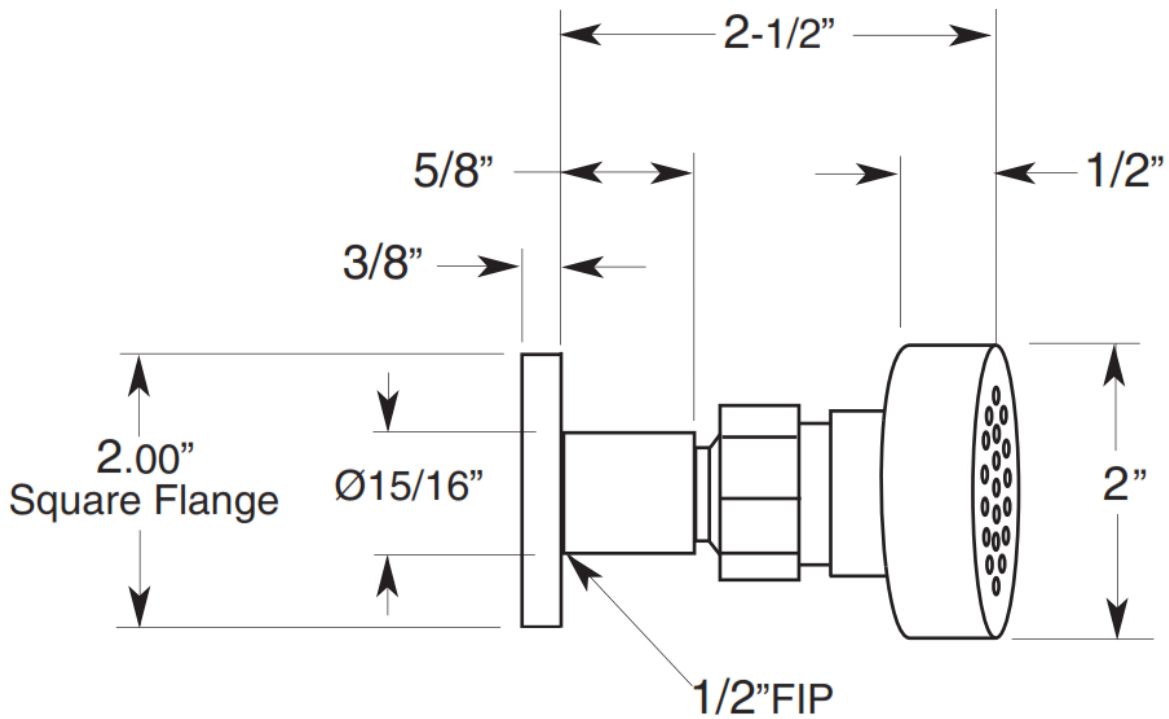




PRODUCT SPECIFICATIONS

Jan 2021

Body Spray
ST-10-124



- ADA Compliant
- Custom finishes available

Connection	1/2"
GPM	1.8