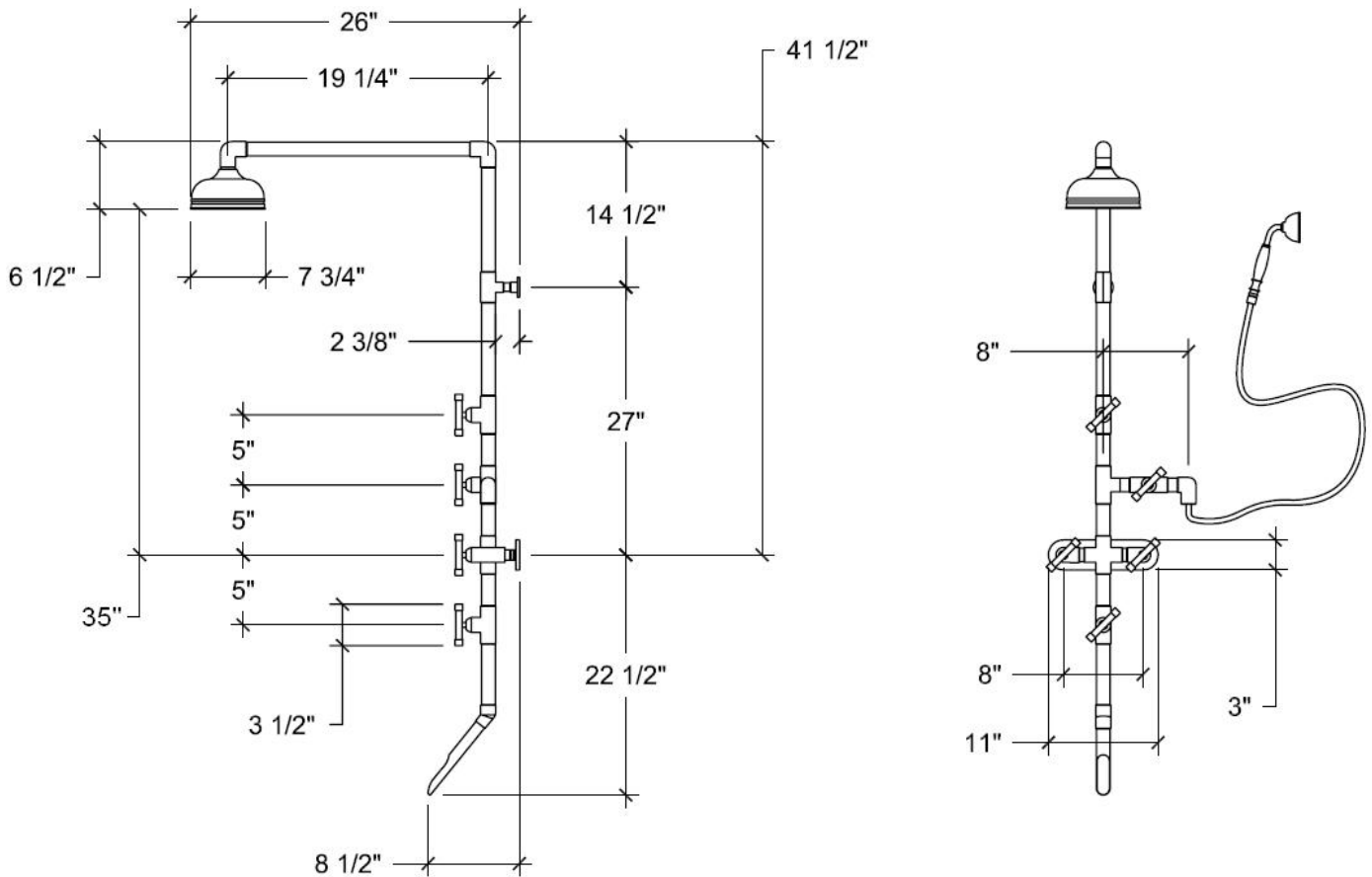




PRODUCT SPECIFICATIONS

WATERBRIDGE EXPOSED SHOWER W/ HANDSHOWER & TUBFILLER (WB-SHW-880)



(Note: Dimensions for current inventory may vary slightly from those shown above)

FACTS

Solid Copper & Brass Construction, piping is 1-3/8" O.D.

1/2" Quarter-turn Ceramic Cartridges

Hooks up directly to 1/2" soft or rigid copper supply lines w/Compression Fitting

IAPMO Approved

See WB-SHW-FTWSH Spec for accessory to adapt tub-filler to become footwash

Optional Offset Lever Handles and Cross Handles Available

Custom Heights and Spout Lengths Available by Special Order

Available in Four Standard Finishes (WaterBridge Collection)

Rustic Copper (RC)

Oil Rubbed Bronze (ORB)

Rustic Nickel (RN)

Pizzazz Nickel (PN)

(Custom finishes available by special order)

Sonoma Forge, 133 Copeland Street, Petaluma, CA 94952

T (800) 330-5553 T (707) 789-9130 F (707)789-9201

www.sonomaforge.com info@sonomaforge.com

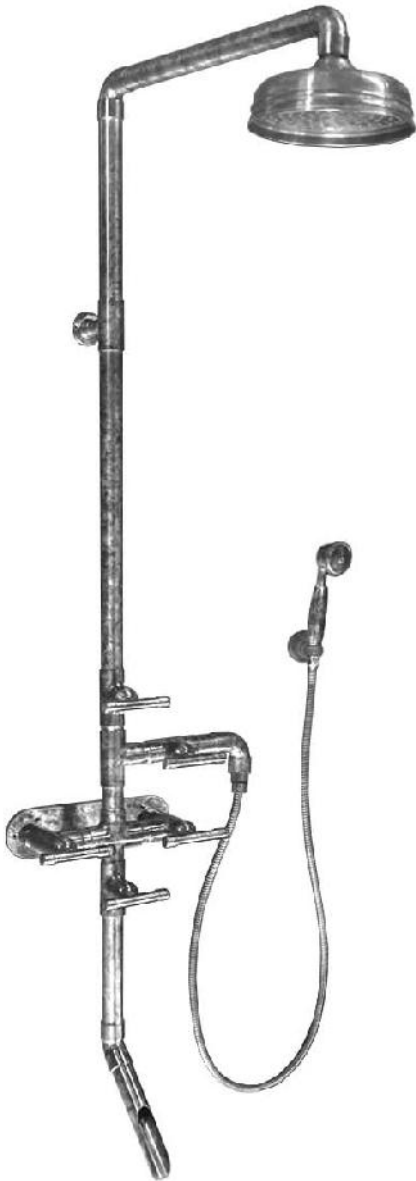


UPDATED
VERSION
FEB 2008

PRODUCT SPECIFICATIONS

WATERBRIDGE EXPOSED SHOWER WITH TUBFILLER (WB-SHW-880)

SHOWER SHIPS IN FOUR PIECES; BODY, SHOWER ARM, TUB SPOUT & RAIN HEAD, PLUS MISC. PARTS SHOWN BELOW



HAND SHOWER



MOUNTING PLATE



SHOWER HEAD SPACER
& MOUNTING SCREWS

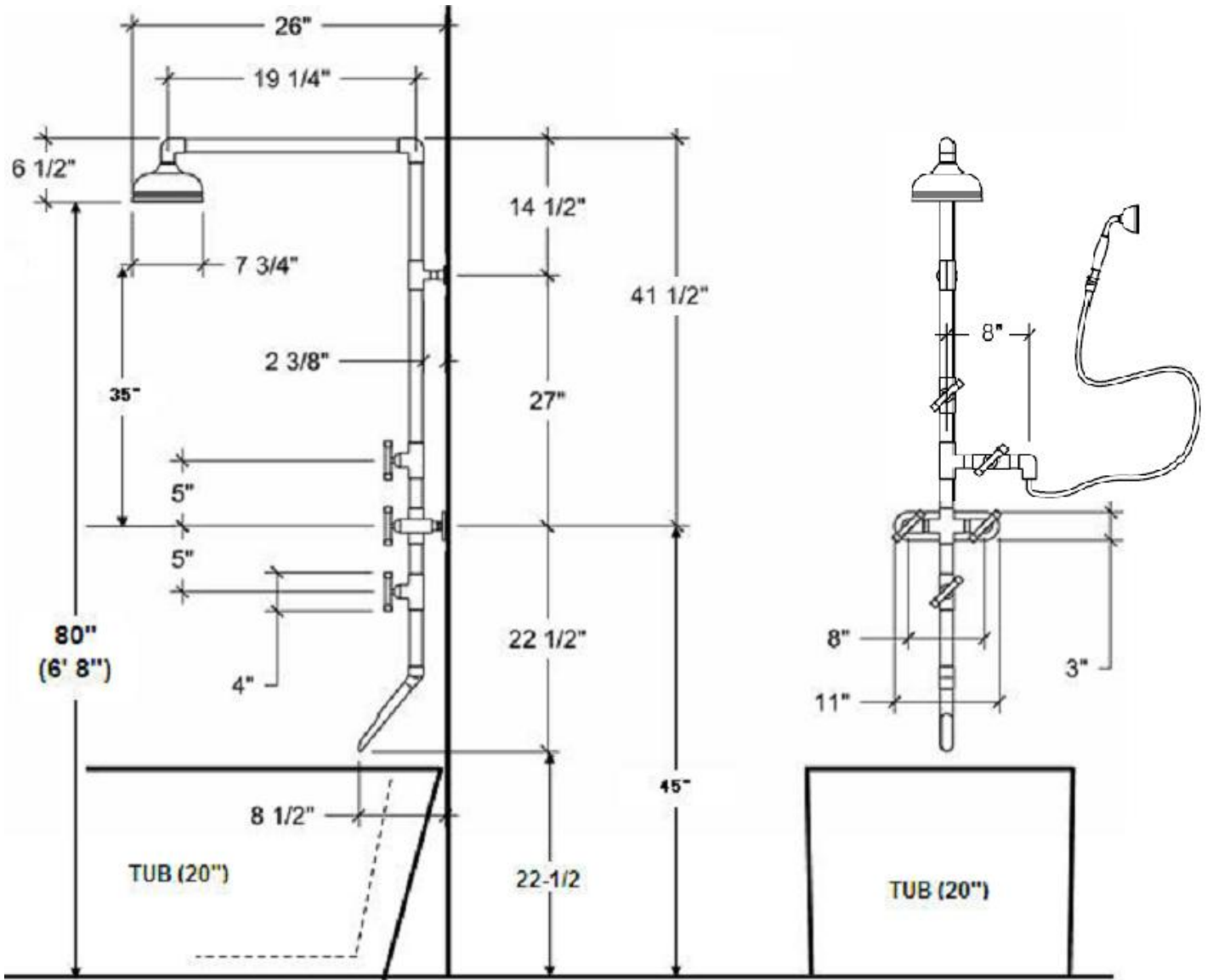


WATTS ANTI-SCALD MIXING VALVE



PRODUCT SPECIFICATIONS

WATERBRIDGE EXPOSED SHOWER W/ HANDSHOWER & TUBFILLER (WB-SHW-880)



EXAMPLE SHOWS POSSIBLE TUB FILLER APPLICATION

(SEE WB-SHW-FTWSH SPEC FOR FOOTWASH APPLICATION)