



UPDATED
VERSION
SEP 2011

INSTALLATION INSTRUCTIONS WHEREVER - WALL MOUNT LAV AND TUB FILLER

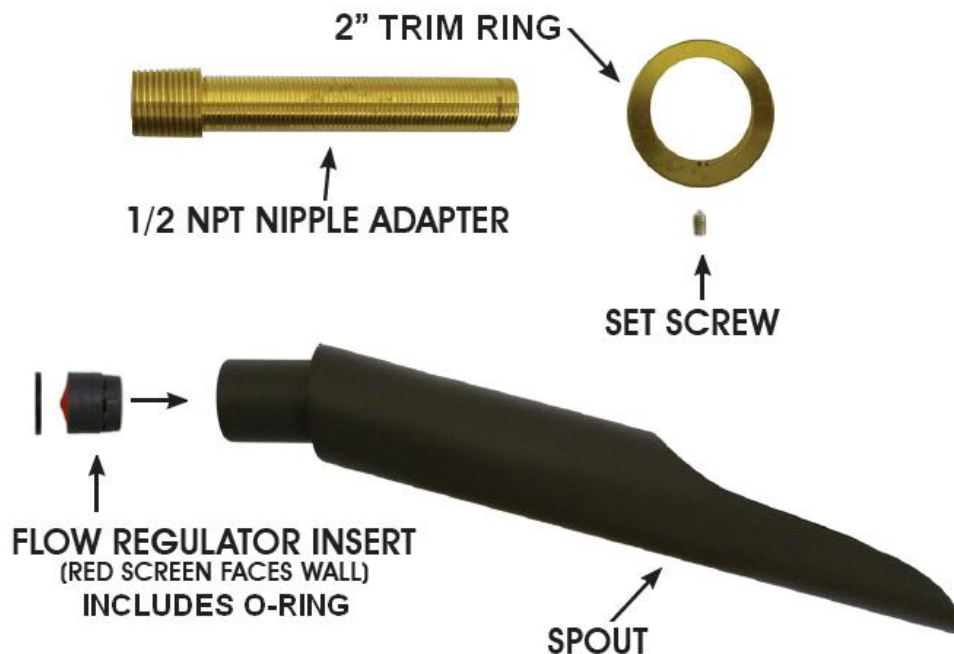
Parts List

Valves & Trim for 1 pair of wall mount volume controls (Hot & Cold)
WherEver Wall Spout, with aerator and o-ring installed
Trim Ring with set screw (Allen wrench included)
Nipple Adapter

Not Included:

Plumbing to connect valves and spout
5/16" Allen wrench

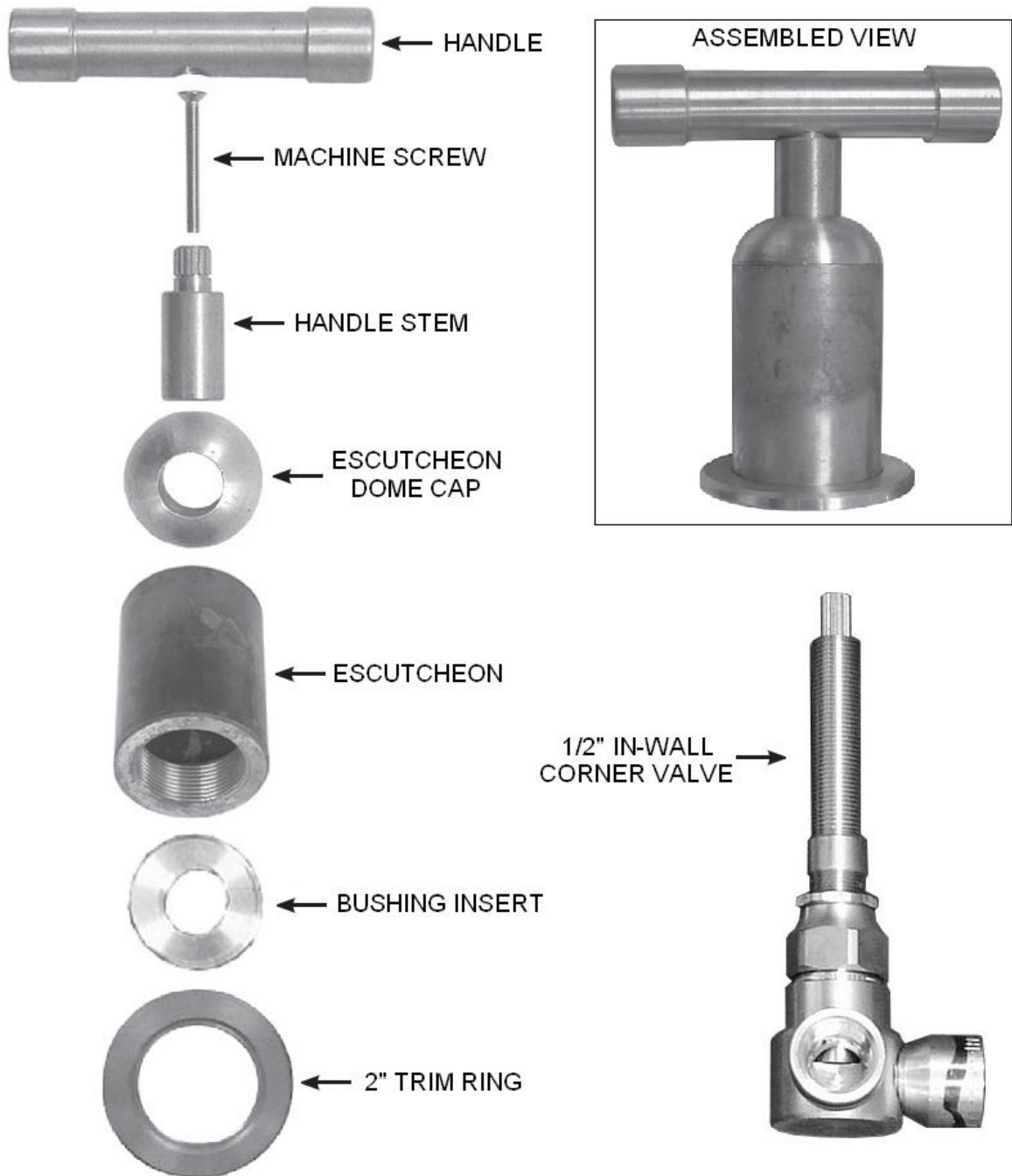
**It is strongly advised to employ a professional plumber.
YOU MUST FLUSH THE LINES AFTER ROUGH-IN.
DEBRIS WILL CAUSE THE AERATOR TO FAIL.**





UPDATED
VERSION
SEP 2011

INSTALLATION INSTRUCTIONS WHEREVER - WALL MOUNT LAV AND TUB FILLER





UPDATED
VERSION
SEP 2011

INSTALLATION INSTRUCTIONS **WHEREVER - WALL MOUNT LAV AND TUB FILLER**

1. Rough in the supply for the Spout. Only use the rough supplied with the spout. For added strength, a brace between studs should be installed to anchor the pipe. Do not cut the supplied nipple adapter until ready to install the spout. Cap it to prevent debris in the line.
2. When closing the wall, a 1" round hole should be left around the nipple adapter. A 2" trim ring will cover any gap between the nipple and hole in wall.
3. Install the spout onto the nipple and make note of how deep the threads sit into the spout.
4. Remove the spout and cut the nipple to length:
-If using the installed aerator, this should be 7/8" inside the finished wall.
-If using as a tub spout, this should be 5/8" inside the finished wall. (Be sure to remove any aerator before installation)
5. Reinstall the nipple adapter using a 5/16" Allen wrench, then the spout. Double-check your work before adding Teflon tape.
6. Installing the volume controls. As noted, the valves may be placed anywhere, for deck mount or wall mount operation. Locate placement.
7. Separate the Valves from the Trim.
 - a) Loosen the set screw in the handle & remove the handle from the stem
 - b) Remove the Phillips head screw and pull the handle stem off of the valve
 - c) Unscrew the escutcheon from the valve
8. Valve stems should be installed with approximately 2-1/8" of the threading on the stem sleeve exposed from the wall (not including the valve stem itself). If less is exposed, it will still "seat" correctly down to approx. 1-3/4".
9. Supply the spout with the output of the valves. Flush the line of debris.
10. Holes for the valve stems should be 5/8" - 7/8" in finished wall
2" trim rings cover the gaps between the valve stems and holes in wall.
11. Install the trim. Remember to place the trim ring on the valve stem before the escutcheon. Finish up with the handle Stem, then handle.
12. Water Test for leaks.