



UPDATED  
VERSION  
OCT 2009

## PRODUCT SPECIFICATIONS

**WHEREVER - WALL MOUNT TUB FILLER (WE-RTF-WM-7)  
(SPOUT & TWO HANDLES)**



### FACTS

**Wherever Wall Mount Tub Filler set**

**(Spout and two valves - Hot & Cold volume controls)**

**Volume Controls may be placed anywhere on deck or wall - "WhereEver"**

**(No TEE is included for H/C mixed supply line to spout)**

**IAPMO Approved**

**Available in Four Standard Finishes (Wherever Collection)**

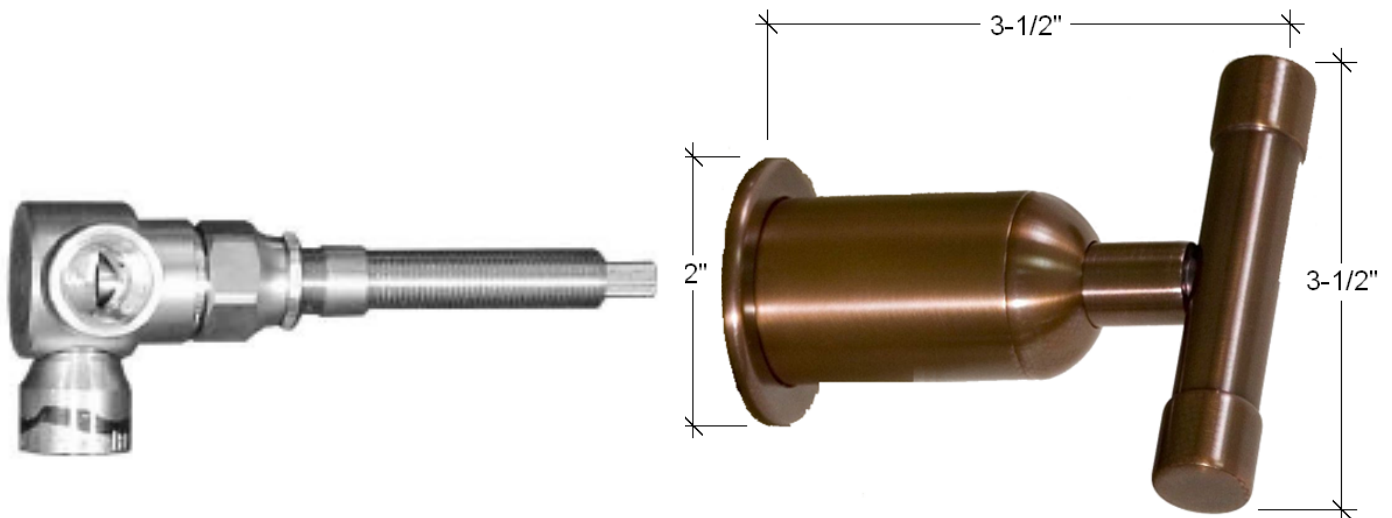
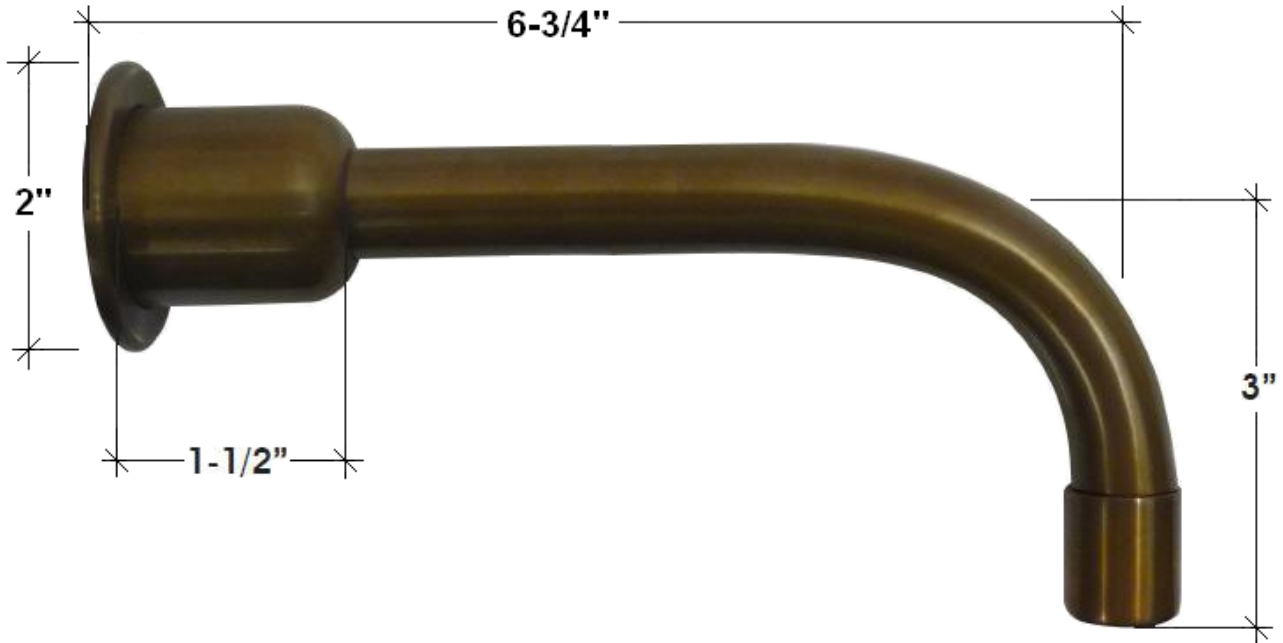
**Rustic Copper (RC) Oil Rubbed Bronze (ORB)**

**Rustic Nickel (RN) Pizzazz Nickel (PN)**

**Sonoma Forge, 133 Copeland Street, Petaluma, CA 94952  
T (800) 330-5553 T (707) 789-9130 F (707)789-9201  
www.sonomaforge.com info@sonomaforge.com**



Pictures are not to scale  
Deck Mount and 3/4" valves are also available



1/2" in-wall corner valve

Volume control trim