

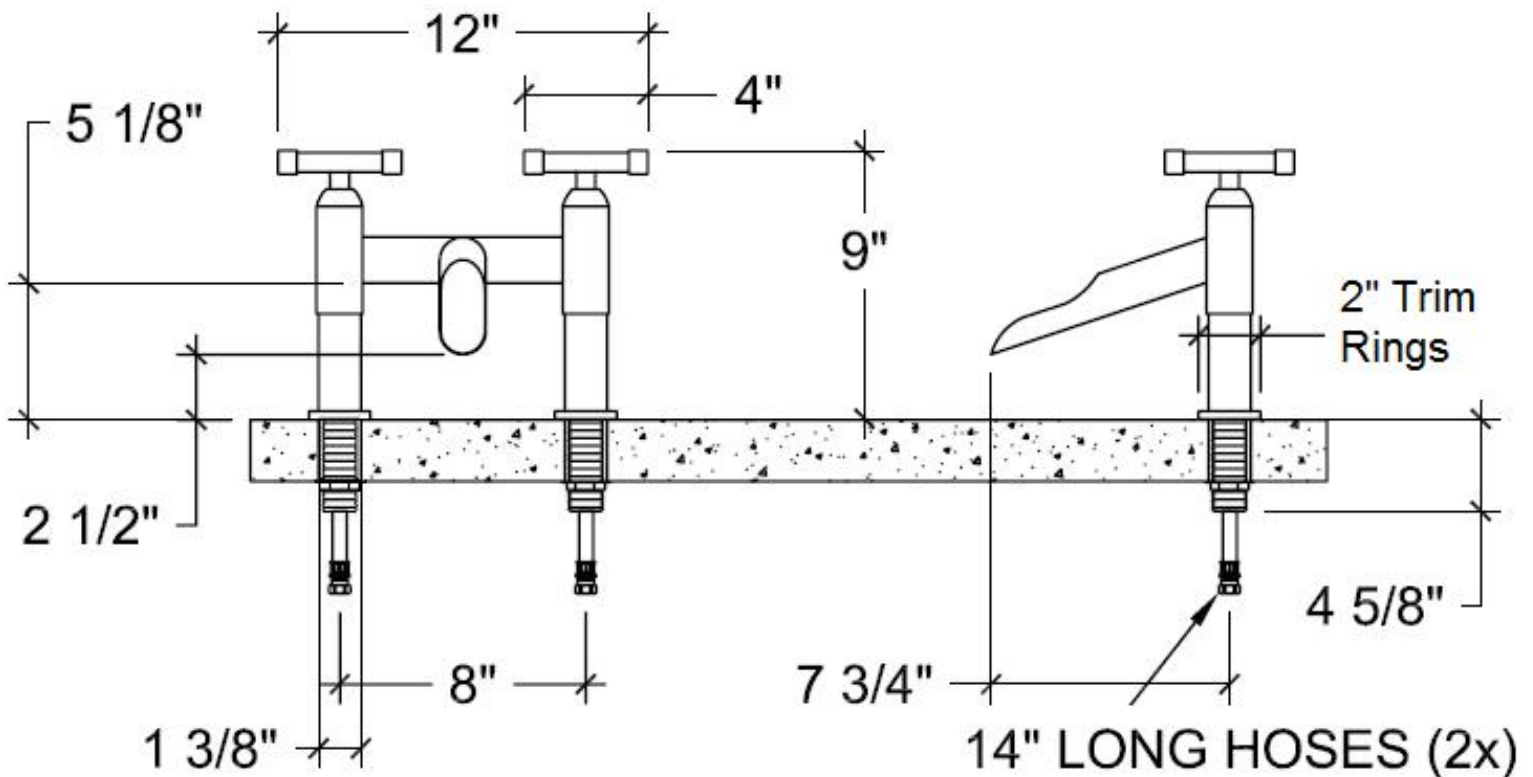


## PRODUCT SPECIFICATIONS WATERBRIDGE LAV – ALL MODELS

WATERBRIDGE LAV - DECK MOUNT – SHORT (WB-LAV-DM-S)

OVERALL HEIGHT = 9"

SPOUT HEIGHT = 2-1/2"







UPDATED  
VERSION  
MAR 2011

## PRODUCT SPECIFICATIONS

**WATERBRIDGE DECK MOUNT – LEG EXTENSIONS (WB-LAV-DM-LEG-EXT)**

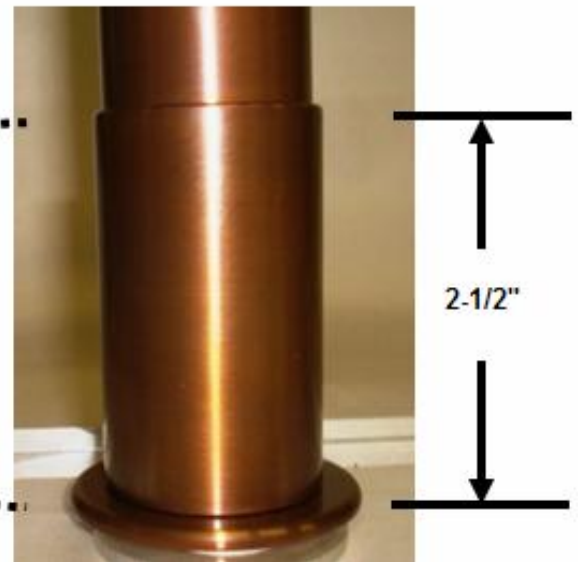
**CAN BE APPLIED TO BOTH “SHORT” & “TALL” LAV MODELS  
TO ACHIEVE DIFFERENT HEIGHTS  
(DEPENDING ON THE VESSEL SINK USED)**



SIMILAR TO ROMAN TUB FILLER SLEEVE  
CAN ADJUST HEIGHT UP TO 2-1/4" INCHES

CRITICAL DIMENSION FOR USE WITH  
VESSEL SINKS IS DISTANCE FROM  
DECK TO BOTTOM OF SPOUT TO  
ACHIEVE CLEARANCE FROM THE  
"FLOOD PLAIN" OF THE VESSEL

REFER TO LOCAL CODES FOR  
APPROPRIATE CLEARANCE DIMENSION





UPDATED  
VERSION  
MAR 2011

## PRODUCT SPECIFICATIONS

**WATERBRIDGE LAV - DECK MOUNT – SHORT (WB-LAV-DM-S)  
WATERBRIDGE LAV - DECK MOUNT – TALL (WB-LAV-DM-T)**

### FACTS

**Waterfall style faucet (water continues forward from spout)**

**Copper pipe construction with solid brass parts**

**1/2" Quarter-turn Ceramic Cartridges**

**3/4" O.D. straight nipple connection for mounting**

**(holes should be drilled at 1-1/4" – 2" trim ring covers gap)**

**Braided stainless supply lines with 3/8" compression fitting**

**IAPMO Approved**

**Optional Offset Lever Handles and Cross Handles Available**

**Custom Heights and Spout Lengths Available by Special Order**

**Available in Four Standard Finishes (WaterBridge Collection)**

**Rustic Copper (RC)      Oil Rubbed Bronze (ORB)**

**Rustic Nickel (RN)      Pizzazz Nickel (PN)**

**(Custom finishes available by special order)**