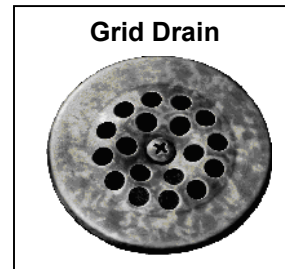




UPDATED
VERSION
SEP 2010

PRODUCT SPECIFICATIONS

WATERBRIDGE REMOTE TUB DRAIN & OVERFLOW (WB RTDO)



FACTS

Remote Tub Drain and Overflow of solid brass construction

In-floor unified casting connection of solid brass (installed into a 4" diameter hole in floor)

- 1-1/2" male, slip-joint couplings

Overflow height is adjustable

- from a min. ht. of 19" to 23", or 25-1/2" max.
- For Custom heights – call for quote

- suitable for use with Sonoma Cast Stone tubs or Other Manufacturers of "vessel-type" tubs that have with no integral overflow

Tub Grid Drain in matching finish included (see image above – details below)

Hook up line to tub & flange mounting screws and/or lag bolts (Not Included – by others)

Available in Four Standard Finishes (WaterBridge Collection)

Rustic Copper (RC) Oil Rubbed Bronze (ORB)

Rustic Nickel (RN) Pizzazz Nickel (PN)

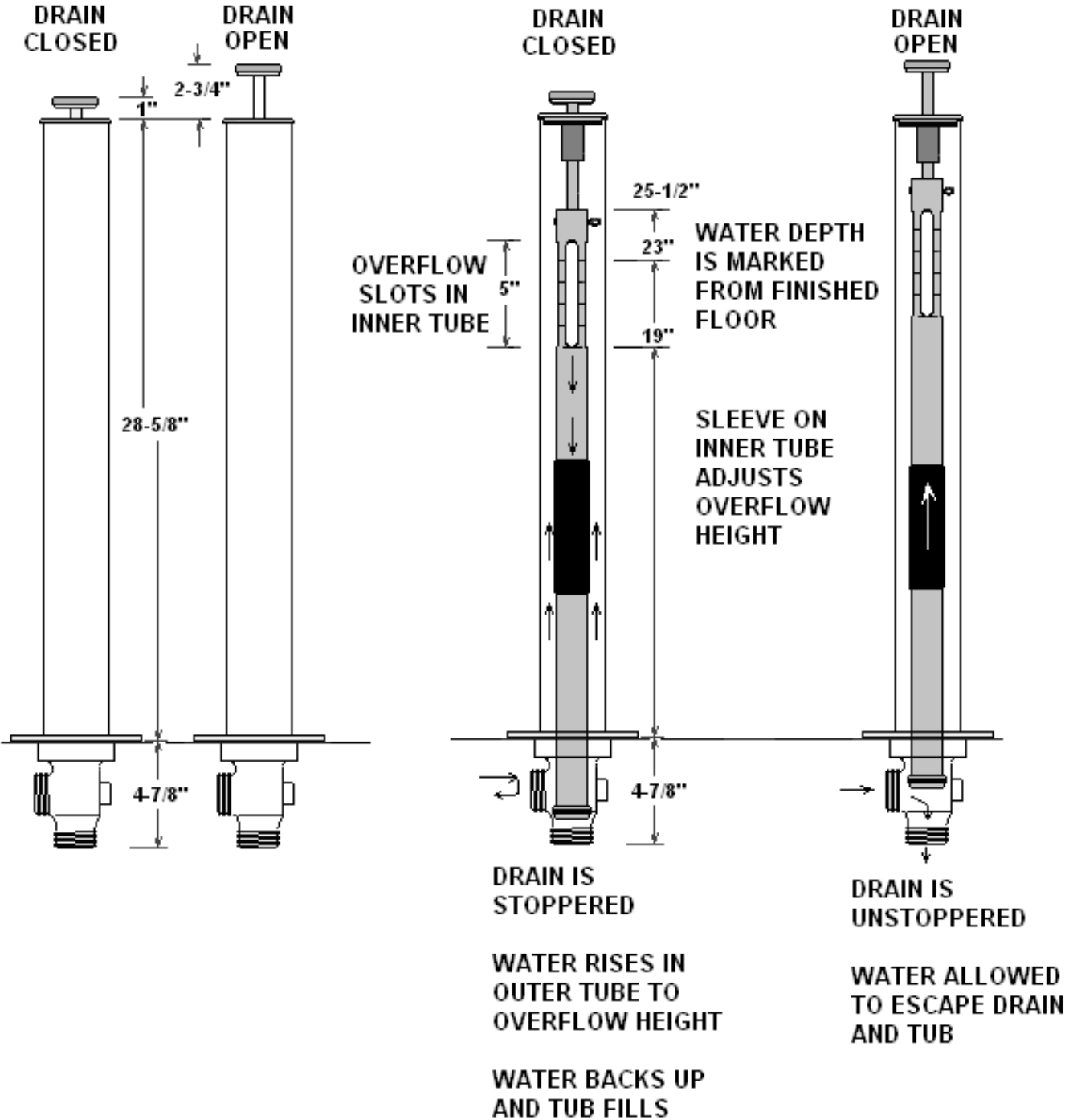
Custom Finishes Available by Special Order



UPDATED
VERSION
SEP 2010

PRODUCT SPECIFICATIONS

WATERBRIDGE TUB DRAIN & OVERFLOW (WB RTDO)

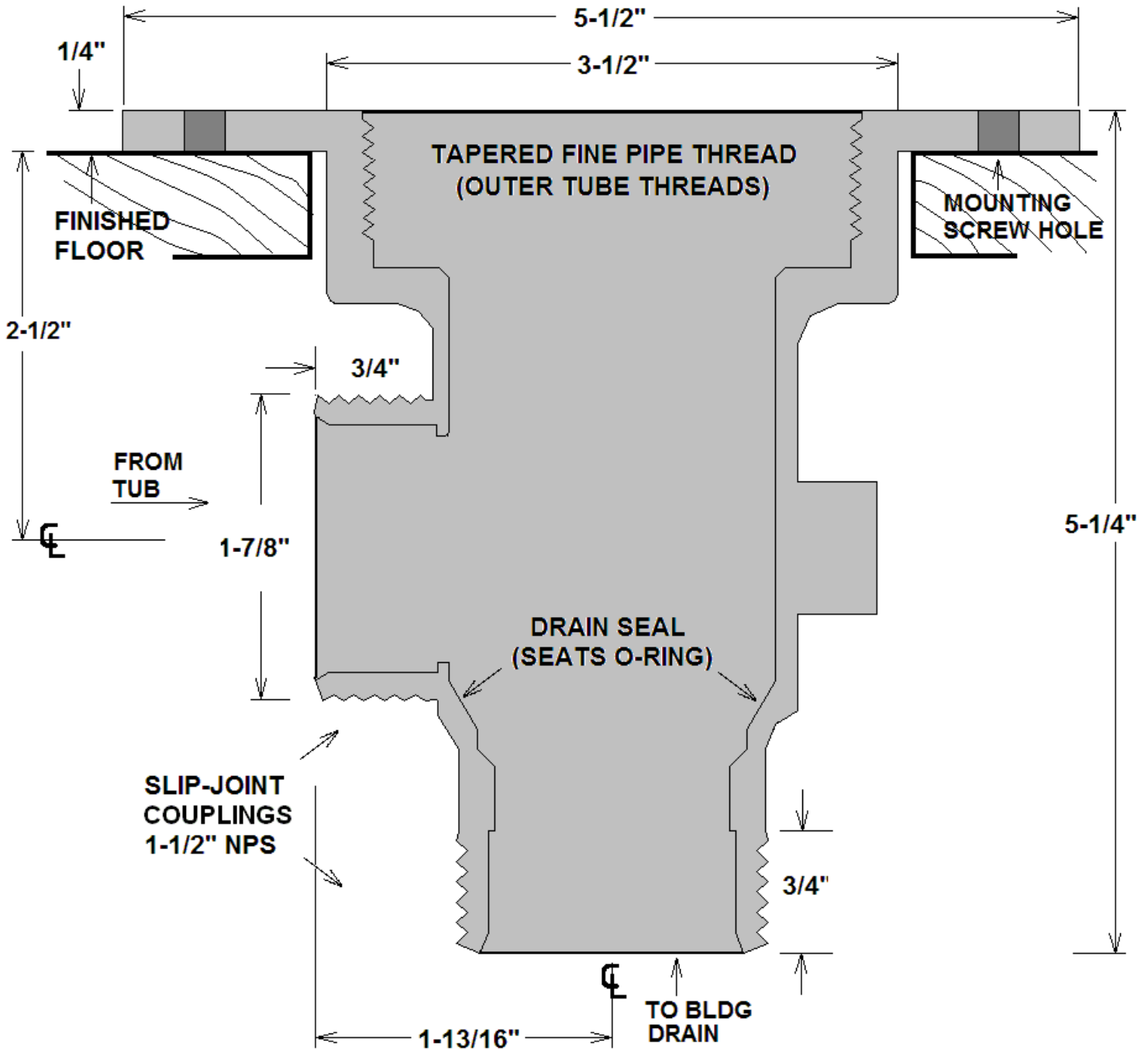




UPDATED
VERSION
SEP 2010

PRODUCT SPECIFICATIONS

WB RTDO - ROUGH



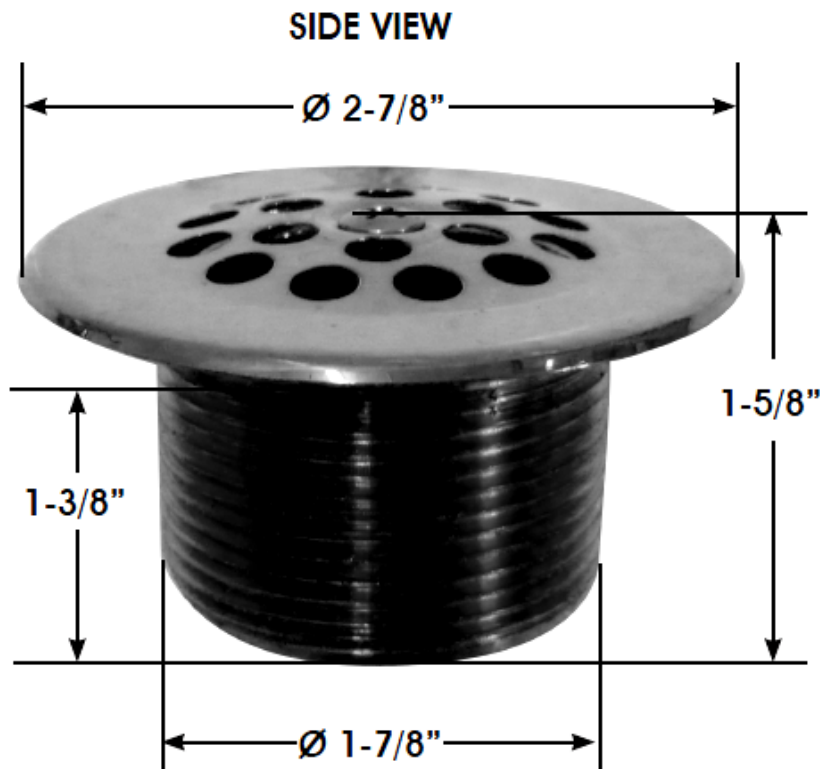
FACTS

In-floor unified casting connection of solid brass (installed into a 4" diameter hole in floor)
- 1-1/2" male, slip-joint couplings



UPDATED
VERSION
SEP 2010

PRODUCT SPECIFICATIONS
WATERBRIDGE TUB DRAIN & OVERFLOW (WB RTDO)
GRID TUB DRAIN



FACTS

Made of Solid Brass

Gerber-Style Bathtub Grid Strainer

1-1/2" Drain Body with screw

Coarse Thread

Note: If a longer body is required for thicker tubs, please contact Sonoma Forge as soon as possible for custom options



UPDATED
VERSION
SEP 2010

GENERAL THEORY OF OPERATION

WATERBRIDGE REMOTE TUB DRAIN & OVERFLOW (WB RTDO)



A tub overflow is generally necessary in order to conform to local plumbing codes to protect against inadvertent flooding. The WaterBridge Remote Tub Drain & Overflow (WB RTDO) was designed for use with any “vessel” type tub on the market (that is, any tub that does not have an integral overflow). Examples include tubs made by **Sonoma Cast Stone** or **Stone Forest**, which are not manufactured with integral overflows.

The standard model compliments tubs with minimum overflow water level of 19” to a maximum overflow water level up to 25-1/2” measured from finished floor (typically measured to 3” below the tub’s rim). Custom heights are also possible on request.





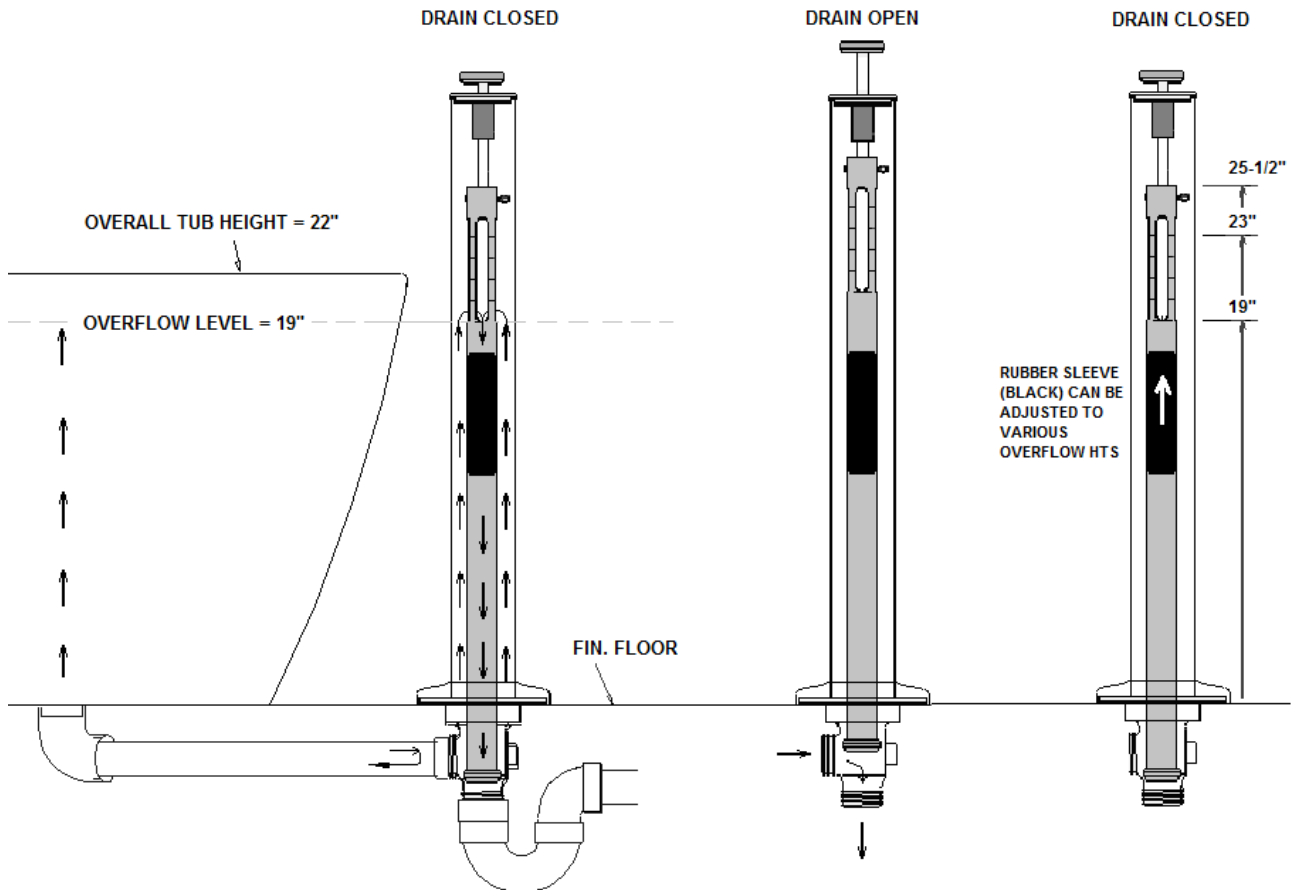
GENERAL THEORY OF OPERATION

WATERBRIDGE REMOTE TUB DRAIN & OVERFLOW (WB RTDO)

How it works: The WB RTDO is basically a “tube within a tube.” The inner tube acts as the drain stopper operated by the Control Knob at the top of the WB RTDO. Its position controls whether the water is allowed to drain or fill the tub.

To stopper the tub, turn the control knob to lower the “inner tube.” In the “down” position - the drain is closed, forcing the water to back up into the tub to fill it. As the water fills in the tub, it also fills the “outer tube” of the WB RTDO. Note: Water seeks its own level – so in effect, the WB RTDO can be positioned anywhere in the room and does not need to be directly adjacent to the tub.

Water will continue to fill the tub until it reaches the overflow water level selected for the tub. At that point, any excess water entering the tub will then begin to “overflow” into overflow holes in the inner tube, and down the drain.



To drain the tub, simply lift and turn the Control Knob until it rests in the up (or open) position.

Adjustment to the overflow water level for the tub can be made by sliding the black rubber sleeve on the inner tube, either up or down as needed. There are one inch “hatch marks” on the inner tube for reference. These are measured from the bottom of the floor flange which mounts on top of the finished floor. Factory setting is in the lowest position (shown in diagram above).