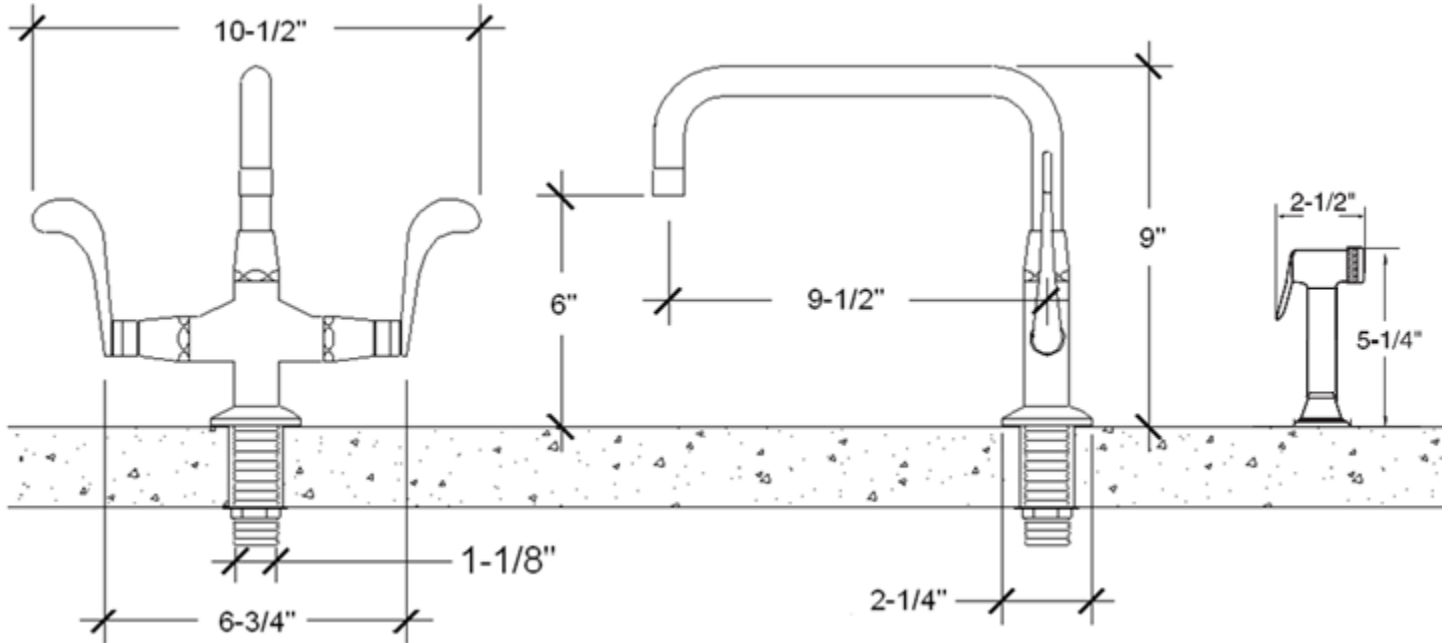




PRODUCT SPECIFICATIONS

Wingnut with Swiveling Square Spout & Side Spray WN-SQ-SW-W/SP

Oct 2014



- ADA Compliant
- Allow a 1-1/8" hole for mounting
- 1-3/4" maximum deck thickness
- Custom finishes available

Connection	3/8" Compression
Valve	1/2" Ceramic
GPM	1.5