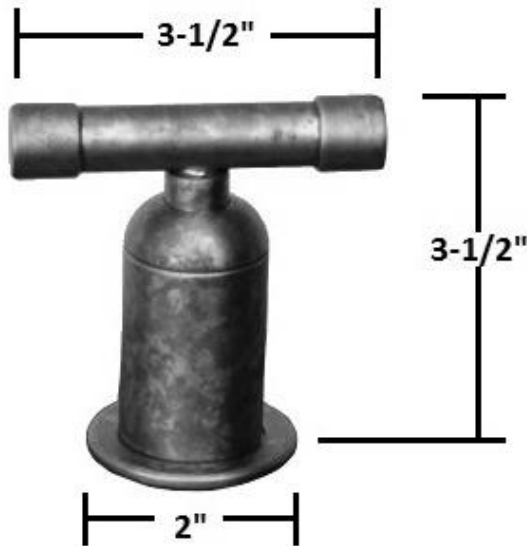
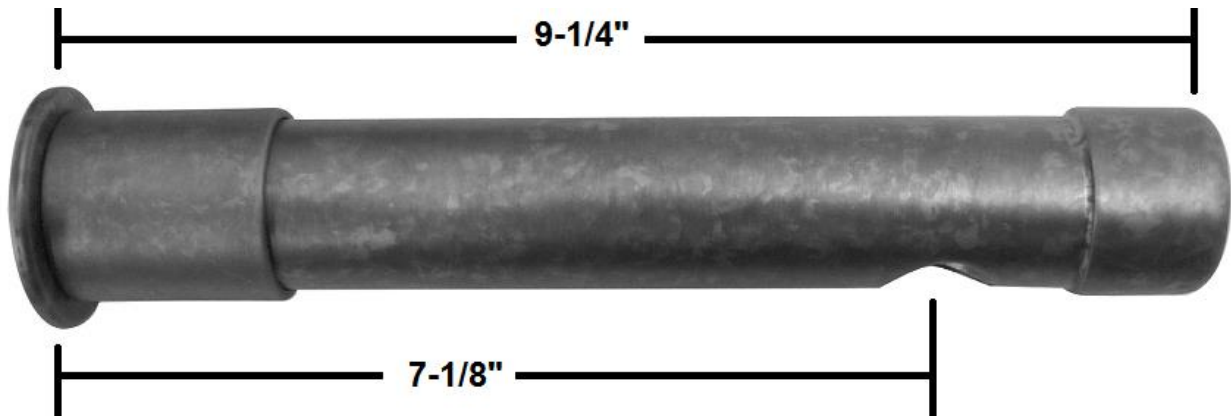




PRODUCT SPECIFICATIONS

Wherever Tub Filler with Cap Spout
WE-RTF-WM-CAP

Jan 2014



- ADA Compliant
- Offset and Cross handles available
- Custom sizes and finishes available

Connection	1/2"
Valve	1/2" Ceramic
GPM	8-12