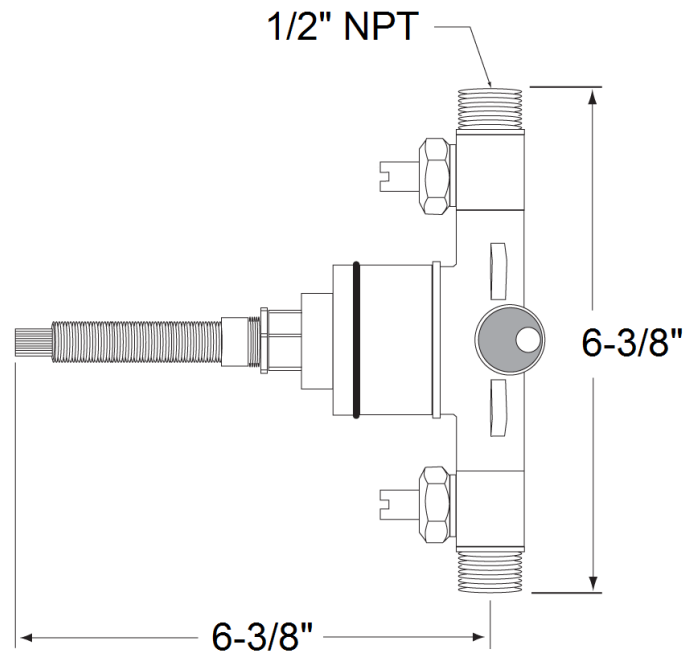
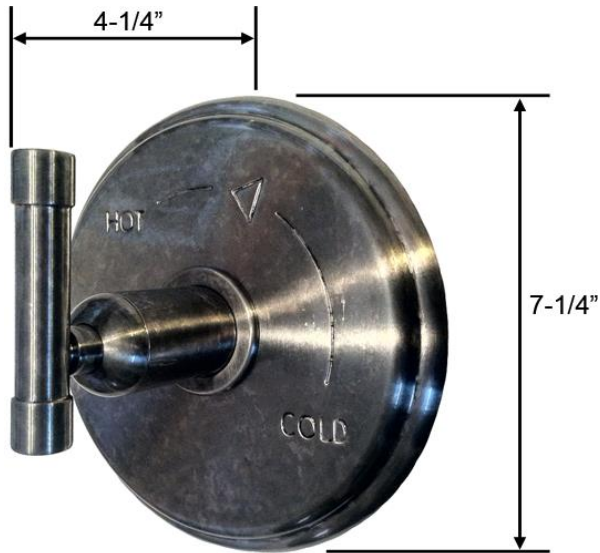




PRODUCT SPECIFICATIONS

Wherever Pressure Balance Valve & Trim WE-PB

April 2013



- ADA Compliant
- Offset and Cross handles available
- Custom finishes available

Connection	1/2" NPT
Valve	1/2"
GPM	5.6