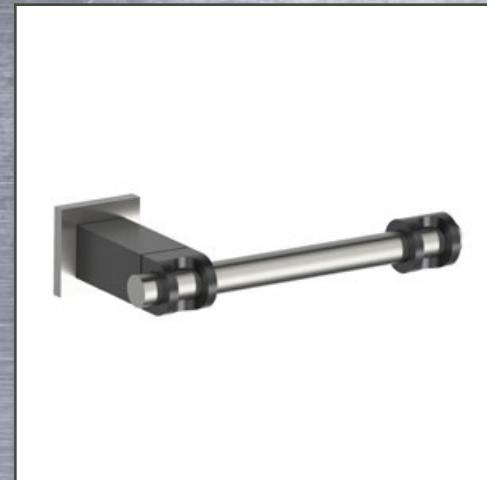


The Strap

COLLECTION



800.330.5553
sonomaforge.com
info@sonomaforge.com

The Strap

COLLECTION



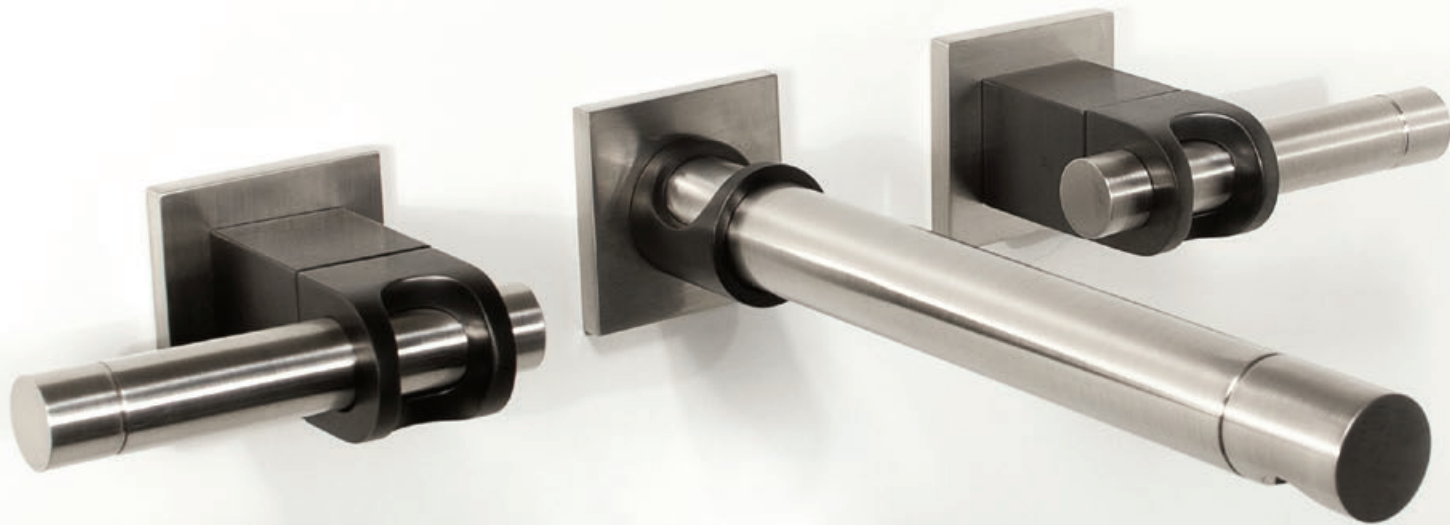
In the vein of our other designs, the new Strap collection conveys simplicity and strength with an industrial fastener design.

The Strap Collection | Deck Mount LAV

sonomaforge.com/strap-designer-faucets

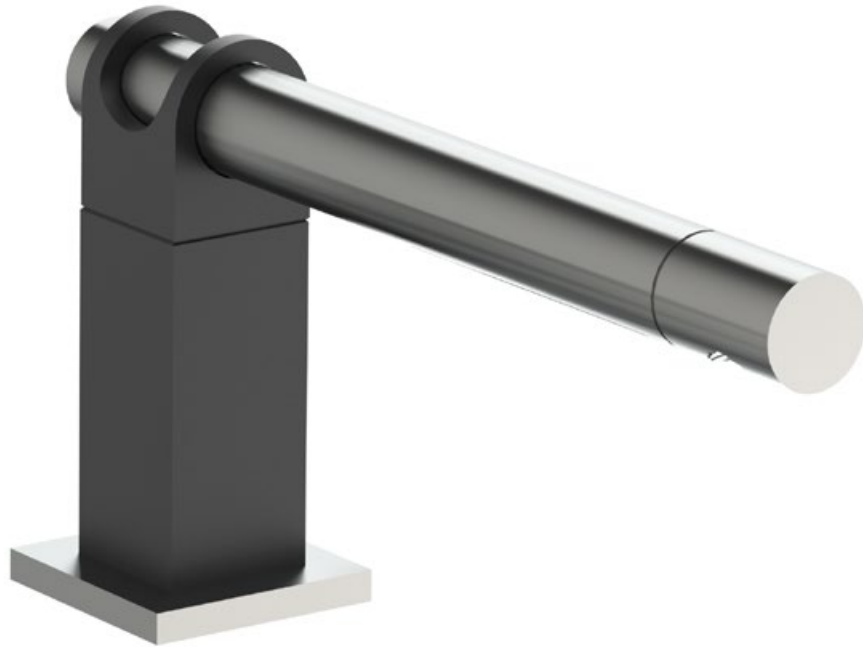
The Strap

COLLECTION



The Strap Collection | Wall Mount Faucet

The standard split finish of Satin Nickel and Black Chrome accentuates the unique nature of this distinctive design.



The Strap Collection | Deck Mount, Sans Hands

Spouts are transformed into sensor faucets using "Sans Hands" technology without the use of infrared or an electric eye.



The Strap Collection | Wall Mount, Sans Hands

The Strap
COLLECTION



Thermostatic Trim set with Round Plate

Available as concealed shower systems with various options, and accessories.



Thermostatic Trim set with Round Plate

The Strap
COLLECTION

The Strap

COLLECTION



The Strap Collection | 24" Towel Bar

Coordinated accessories to complete the master suite for an integrated look.



The Strap Collection | 18" Towel Bar

The Strap

COLLECTION



The Strap Collection | TP Holder

The Strap has a striking industrial feel, yet is equally modern in appearance.



The Strap Collection | Robe Hook

Sonoma Forge, a boutique manufacturer of distinctive collections of designer faucets, showers and accessories based on the artful interpretation of raw plumbing parts. Our designs are a happy marriage of industrial chic and rustic country elegance, proud to be unlike anything else in the showroom.