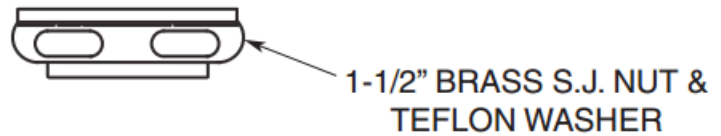
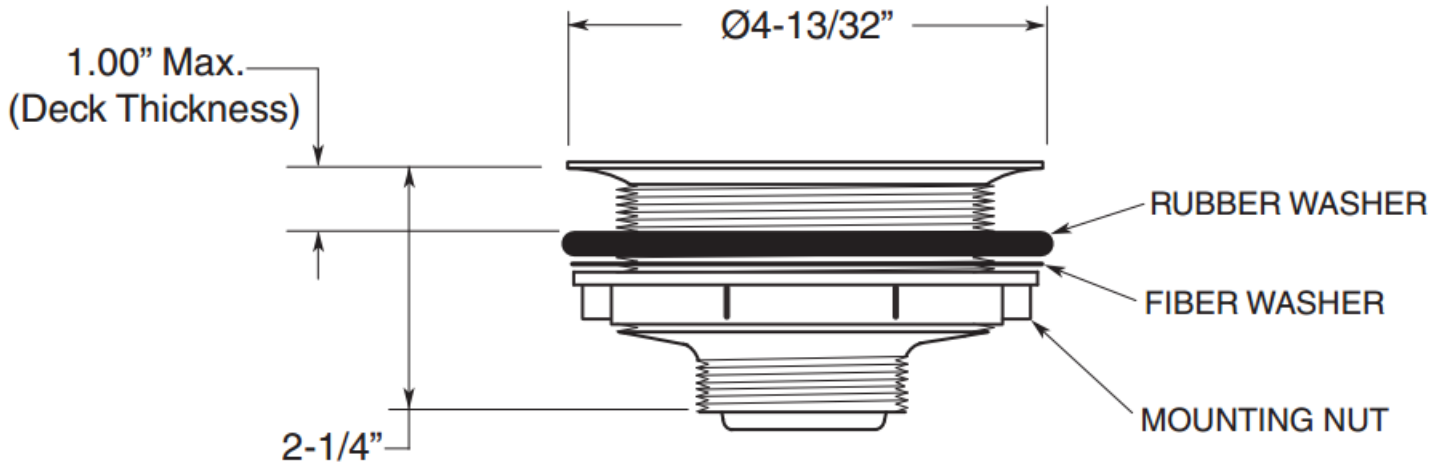
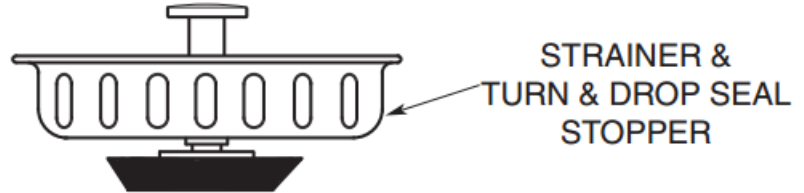




PRODUCT SPECIFICATIONS

3-1/2" Kitchen Drain and Strainer
SF-11-252

Apr 2014



- 3-1/2" – 4" diameter mounting hold required
