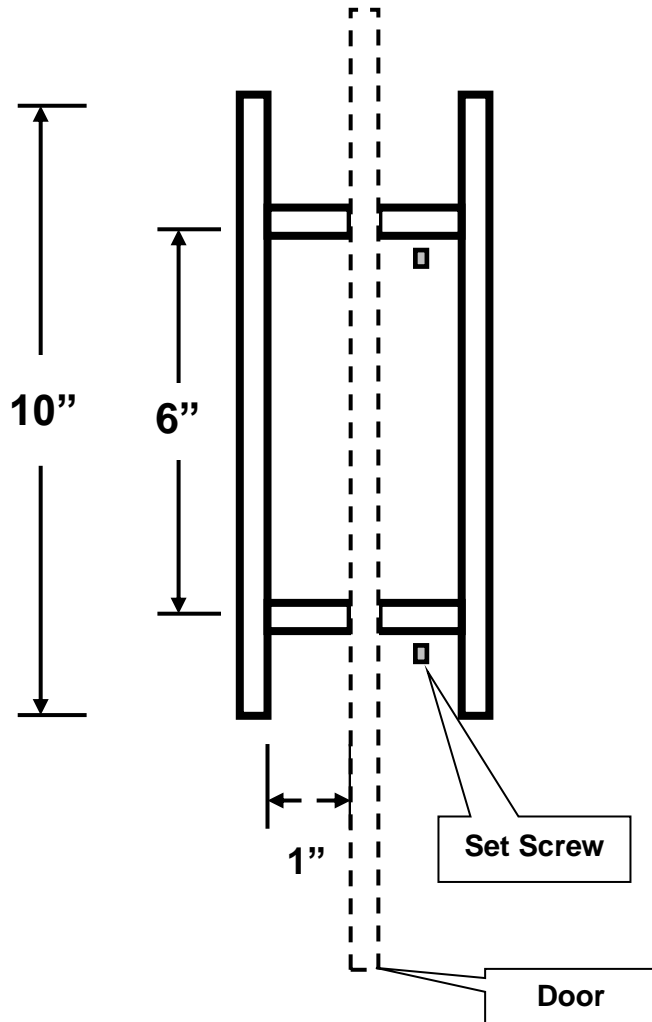




# PRODUCT SPECIFICATIONS

## Cixx Shower Door Pulls CX-SHW-HNDL

Jan 2014



- Drill mounting holes at 1/2" diameter, 6" c-c
- Includes mounting hardware
- Custom sizes and finishes available

Min Glass Thickness	3/8"
Max Glass Thickness	1-1/8"