

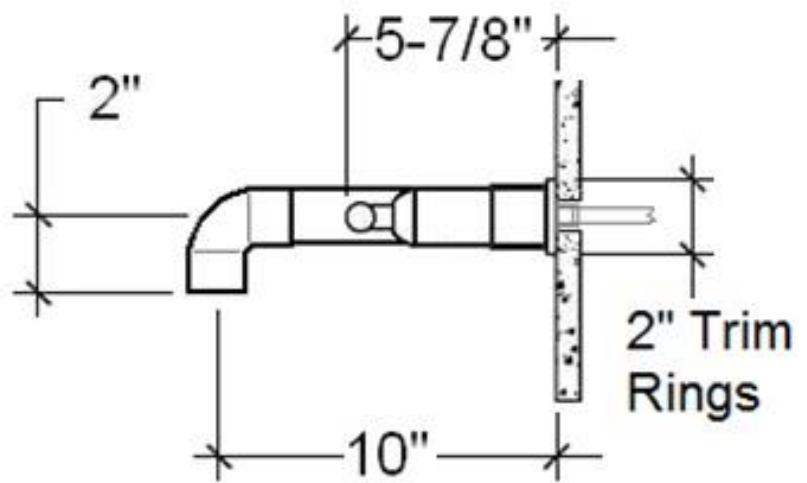
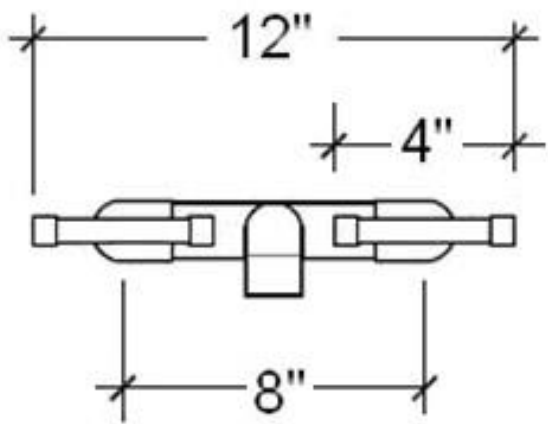


# PRODUCT SPECIFICATIONS

## Waterbridge Wall Mounted Tub Filler with Elbow Spout

Aug 2019

WB-RTF-WM-LBO



- ADA Compliant
- Includes Flip-Top Drain w/o overflow
- Offset and Cross handles available
- Custom sizes and finishes available

Connection	1/2" Copper
Valve	3/4" Ceramic
GPM	10-14