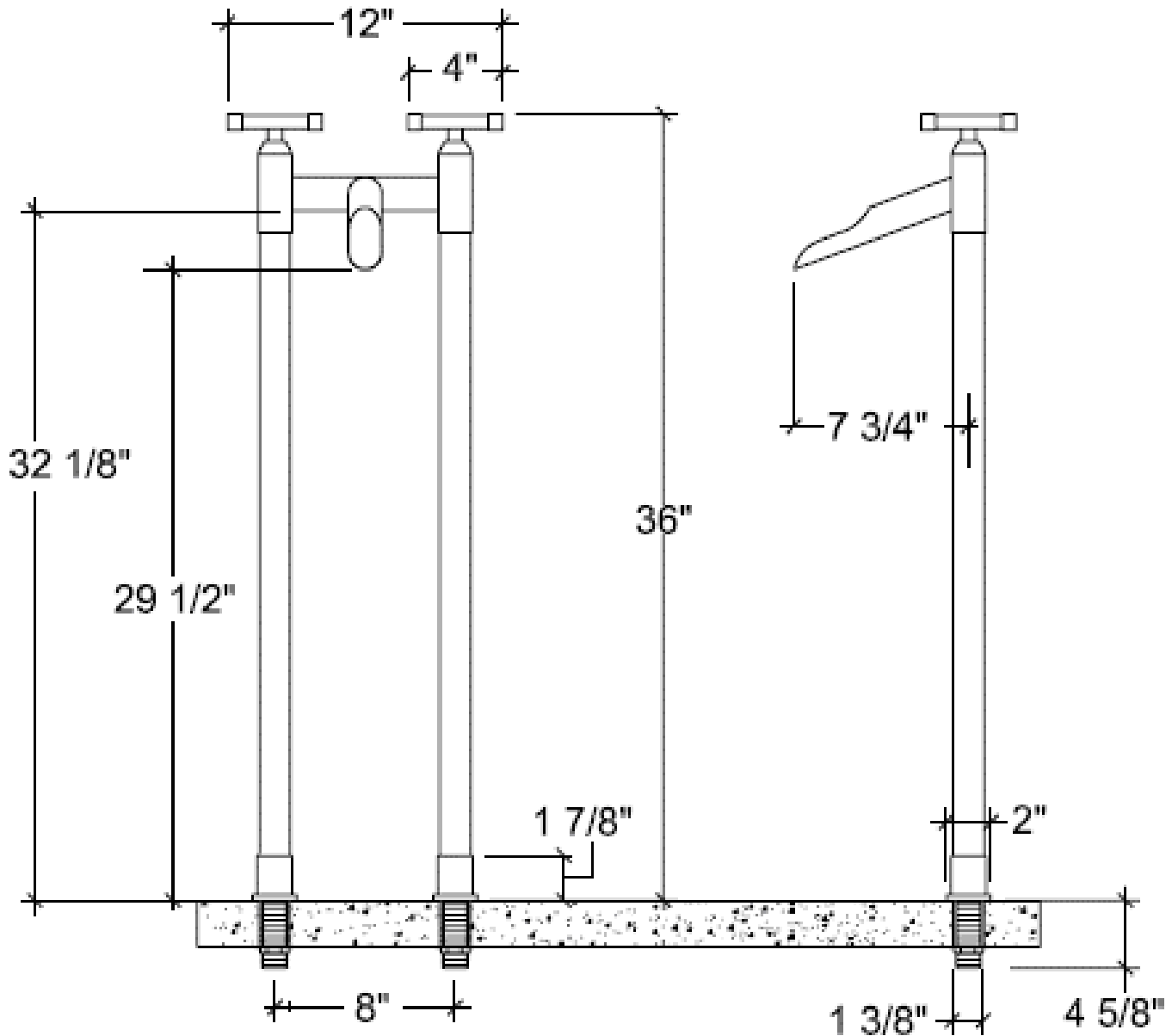




PRODUCT SPECIFICATIONS

Waterbridge Tub Filler with Waterfall Spout
WB-RTF-FM-WF

May 2013



- ADA Compliant
- Offset and Cross handles available
- Custom sizes and finishes available
- Optional stabilizer tee available

Connection	3/4" NPS
Valve	3/4" Ceramic
GPM	10-14