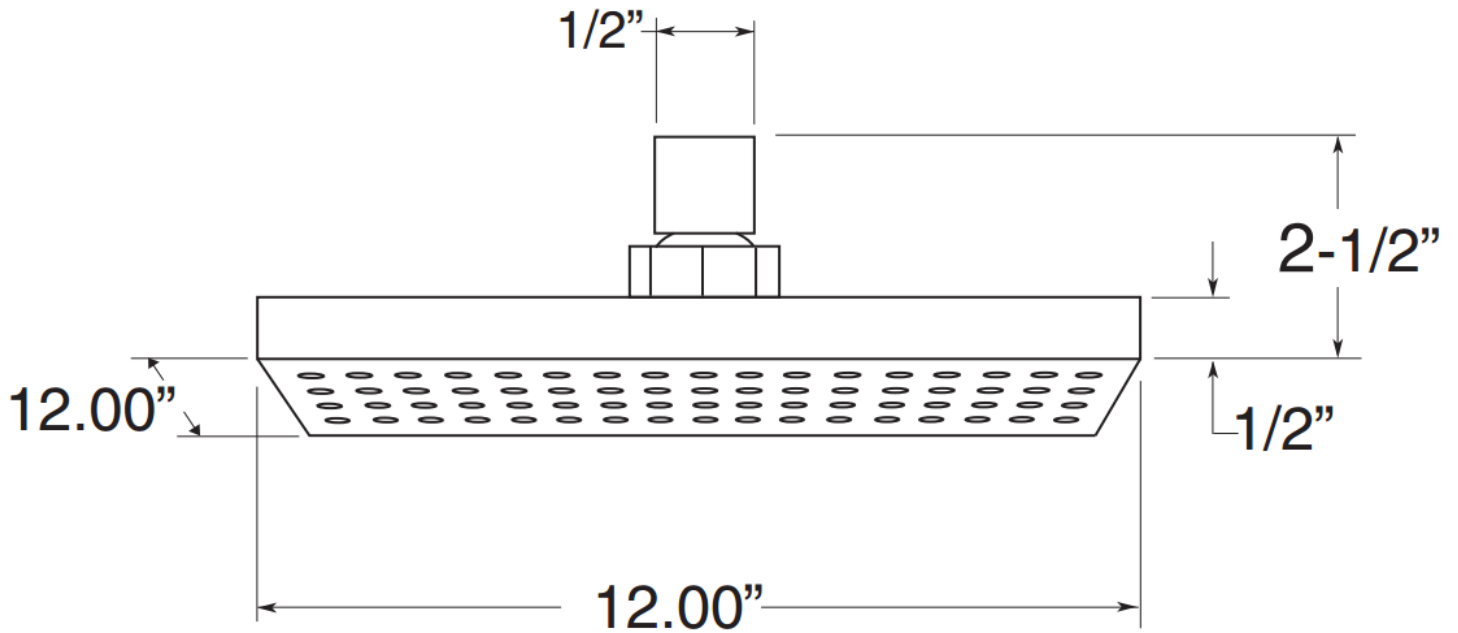




# PRODUCT SPECIFICATIONS

Dec 2020

12" Shower Head  
SF-SHW-10-088



- ADA Compliant
- Custom finishes available

Connection	1/2"
GPM	1.8