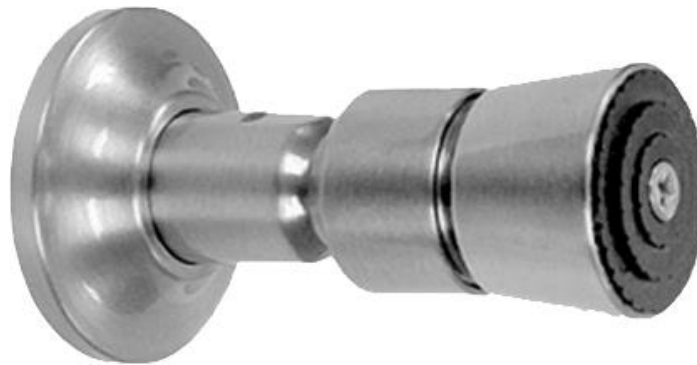
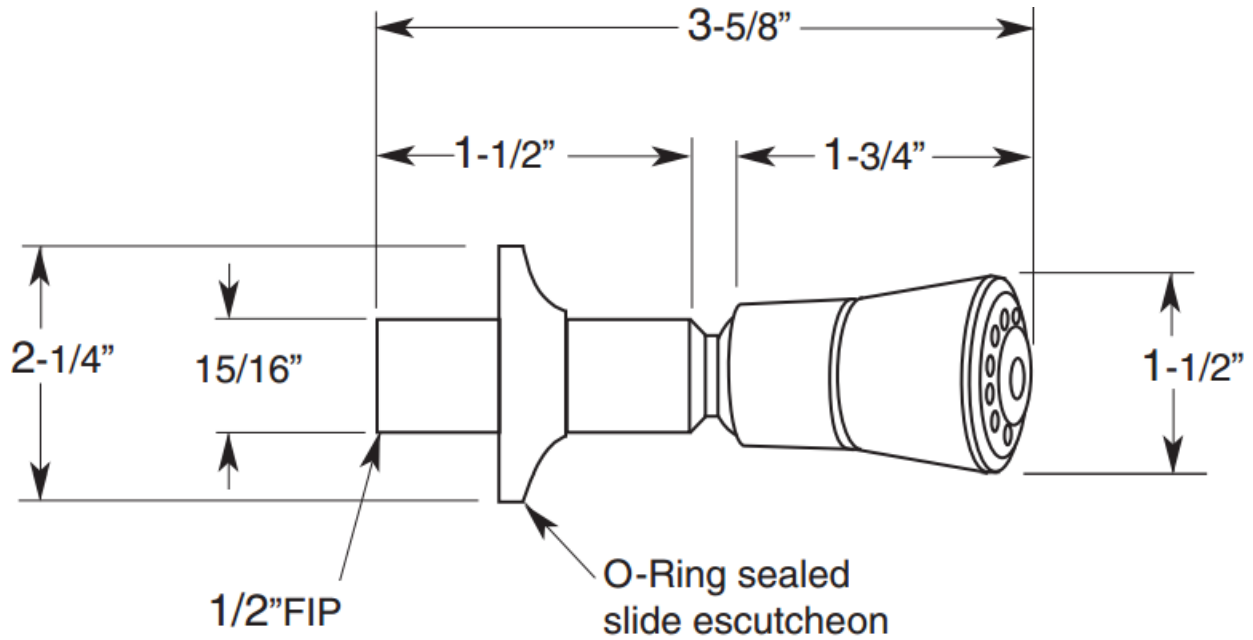




PRODUCT SPECIFICATIONS

Jan 2021

Body Spray
SF-10-063



- ADA Compliant
- Custom finishes available

Connection	1/2"
GPM	1.8